

4

3

2

1

D

D

C

C

B

B

A

A

Valve: Metric [17.35mm OD X 7mm ID X 0.15mm THK]

* PISTON ORIENTATION IS CRITICAL
SMALL PORTS FACE NUT

Damping Adj Part: Piston Stud, 6mm

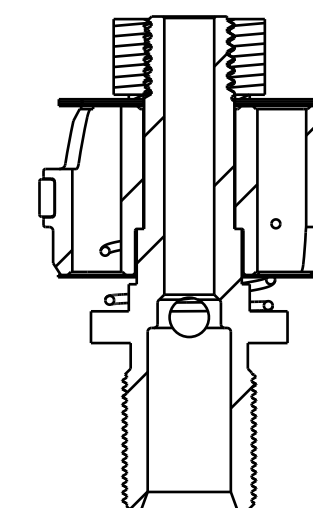
Spring: Rebound Check, 09 36-40

Bearing, External: Glide Ring, Molded, Z-Cut, Grip

Piston, Damping, Rebound, MIM, 20.0 Bore

820-03-457-KIT
2017 Grip Rebound Valving, Long Travel

Fastener, Standard (Metric), Nut, M6 x .75



SECTION A-A

FOX **FOX Factory, Inc.** Ph 831-768-1100
130 Hangar Way, Watsonville, CA 95076 USA Fax 831-768-9312

TITLE
2017 Grip Rebound Piston Assy

SIZE DWG. NO. **820-03-330-KIT**

PLOT SCALE 2.00:1 SHEET 1 OF 1

- PROPRIETARY -
THIS DOCUMENT CONTAINS CONFIDENTIAL, PROPRIETARY INFORMATION
THAT IS FOX PROPERTY. DO NOT DISCLOSE TO OR DUPLICATE
FOR OTHERS EXCEPT AS AUTHORIZED BY FOX.

4

3

2

1