

4

3

2

1

D

D

C

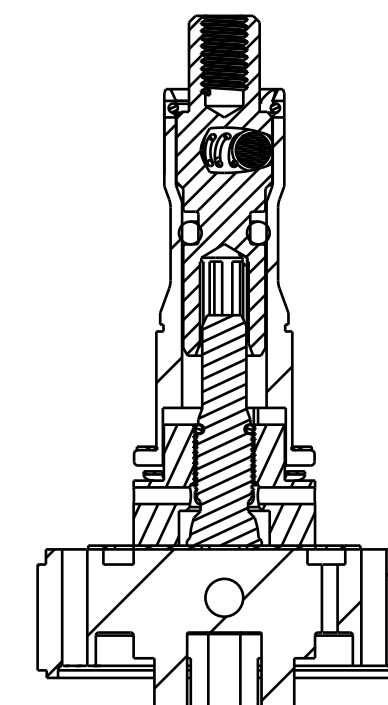
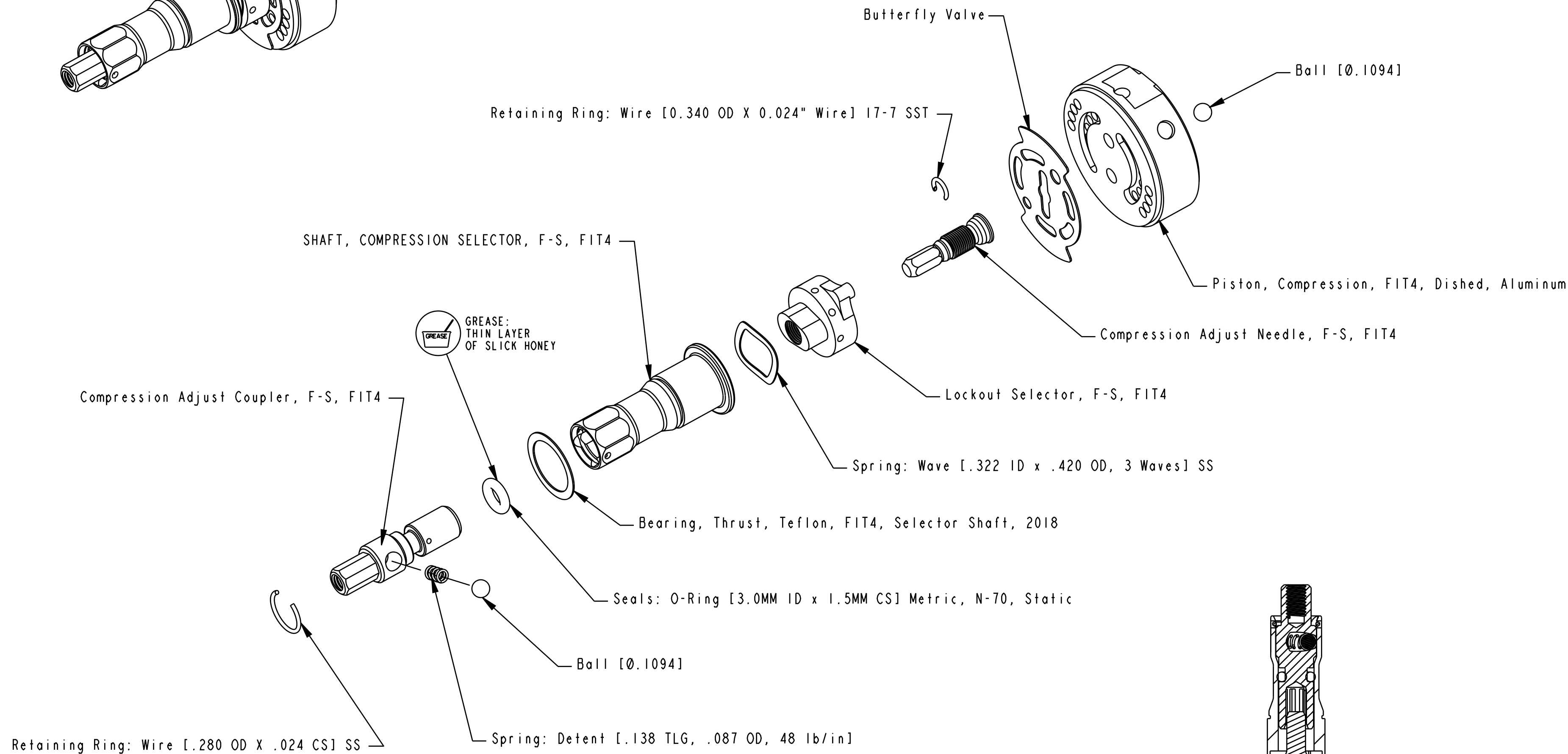
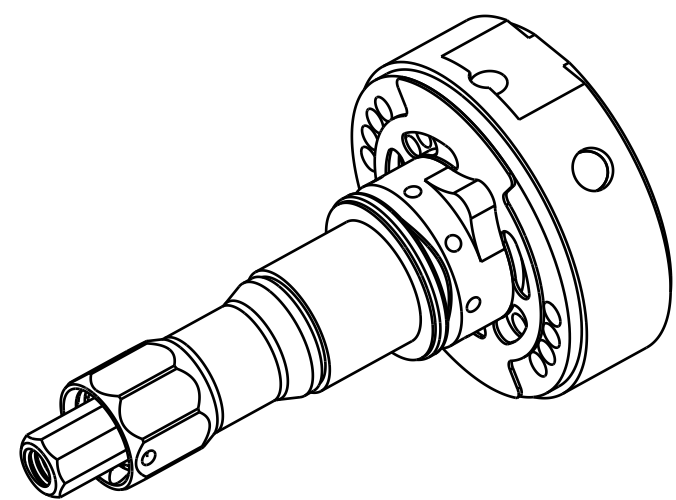
C

B

B

A

A



- PROPRIETARY -
 THIS DOCUMENT CONTAINS CONFIDENTIAL, PROPRIETARY INFORMATION
 THAT IS FOX PROPERTY. DO NOT DISCLOSE TO OR DUPLICATE
 FOR OTHERS EXCEPT AS AUTHORIZED BY FOX.

FOX		FOX Factory, Inc.		Ph 831-768-1100
130 Hangar Way, Watsonville, CA 95076 USA				Fax 831-768-9312
TITLE				
2021 36 E-BIKE+ FIT4				
REMOTE TOPCAP PARTS				
SIZE DWG. NO.				
C				
PLOT SCALE 2.00:1			SHEET 1 OF 1	

4

3

2

1