

4

3

2

1

D

D

C

C

B

B

A

A

Valve: Metric [17.35mm OD X 7mm ID X 0.15mm THK]

\* PISTON ORIENTATION IS CRITICAL  
SMALL PORTS FACE NUT

Damping Adj Part: Piston Stud, 6mm

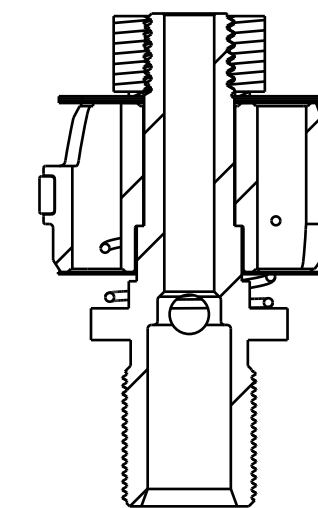
Spring: Rebound Check, 09 36-40

Bearing, External: Glide Ring, Molded, Z-Cut, Grip

Piston, Damping, Rebound, MIM, 20.0 Bore

820-03-590-KIT  
2019 Grip E-Bike Rebound Valving

Fastener, Standard (Metric), Nut, M6 x .75



SECTION A-A

- PROPRIETARY -  
THIS DOCUMENT CONTAINS CONFIDENTIAL, PROPRIETARY INFORMATION  
THAT IS FOX PROPERTY. DO NOT DISCLOSE TO OR DUPLICATE  
FOR OTHERS EXCEPT AS AUTHORIZED BY FOX.

		<b>FOX Factory, Inc.</b>	Ph 831-768-1100 Fox 831-768-9312
130 Hangar Way, Watsonville, CA 95076 USA			
TITLE <b>2019 Grip E-Bike Rebound Piston Assy</b>			
SIZE	DWG. NO.	820-03-591-KIT	
C		PLOT SCALE 2.00:1	SHEET 1 OF 1

4

3

2

1