

4

3

2

1

D

D

C

C

B

B

A

A

Fastener, Standard (Metric), Nut, M6 x .75

Spring: [0.200 TLG X .400 ID X 0.50 lbs/in] Stainless Steel

Valve: Metric [8.00mm OD X 5.55mm ID X 0.25mm THK] Custom, Check

O-Ring [17mm ID X 1.5mm CS], N-90, Static

TORQUE: 16 ± 1 IN-LB

LOCTITE: RED 263, 1 DROP

DETAIL B
SCALE 2:1

Seals: O-Ring [8mm ID X 1.5mm CS] Metric, N-70, Static

Damping Adj Part: Hat Preload Comp

GREASE: THIN LAYER OF SLICK HONEY

Seals: O-Ring [16.0mm ID X 2.0mm CS] Metric, N-70, Dynamic

O-Ring (-011) [.070 C.S. X .301 ID]

Piston Damping Comp MIM 20.0 Bore

Bearing: External, [.13 W X .128 ID X .030 TH], PA6

820-03-617-KIT
2020 Grip Remote E-Bike Compression Valving

Fastener, Custom: Bolt Piston Comp Grip

Seals: O-Ring [4.0mm ID x 1.5mm CS] Metric, N-70, Static

GREASE: THIN LAYER OF SLICK HONEY

Bearing: External, Slit [.13 W X .244 OD X .030 TH], PA6

Piston Floating: IFP, Grip

OD SPRING ISOLATOR

COMP NEEDLE

IMPORTANT: ORIENTATION OF PISTON IS CRITICAL ONE RAISED RING TOWARDS TOPCAP

GREASE: THIN LAYER OF SLICK HONEY

SPRING, PISTON, FLOATING

IMPORTANT: DO NOT PINCH VALVES *

IMPORTANT: NOTE ORIENTATION. THIS END TAPERED

ID SPRING ISOLATOR

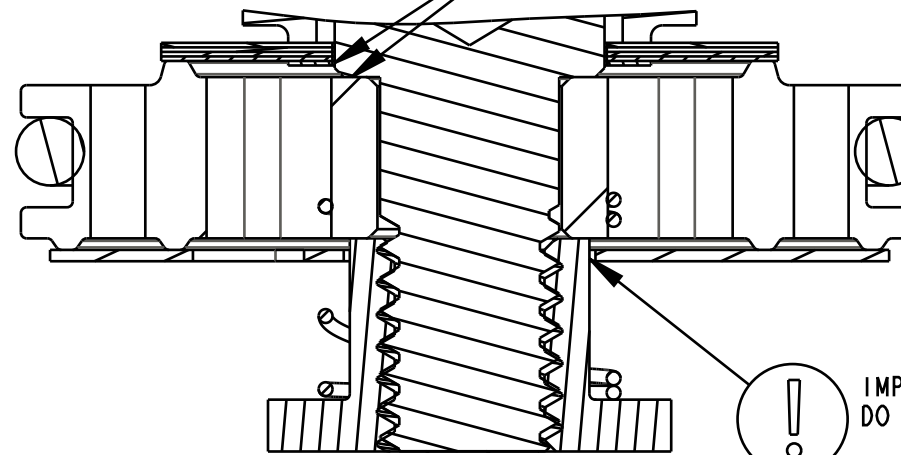
SEE DETAIL A

Fastener Standard (Metric): PIN SS 2 X 12

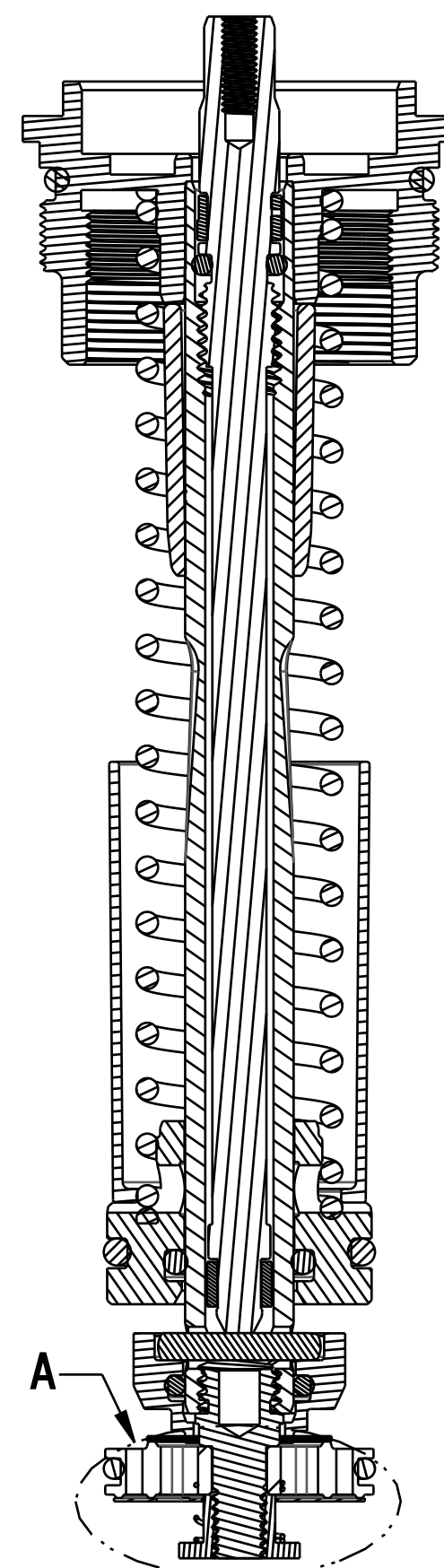
COMP SHAFT

O-RING

TOPCAP BODY



DETAIL A
SCALE 6:1



SECTION A-A
SCALE 2:1

PROPRIETARY - THIS DOCUMENT CONTAINS CONFIDENTIAL, PROPRIETARY INFORMATION THAT IS FOX PROPERTY. DO NOT DISCLOSE TO OR DUPLICATE FOR OTHERS EXCEPT AS AUTHORIZED BY FOX.

FOX Factory, Inc. Ph 831-768-1100
130 Hangar Way, Watsonville, CA 95076 USA Fax 831-768-9312

TITLE
2020 36, Grip E-Bike+ Remote, Topcap Assy

SIZE DWG. NO. C 820-05-609-KIT

PLOT SCALE 1:1

SHEET 1 OF 1

ProE ASSEM

4

3

2

1