

REFERENCE ONLY
(FOR INSTALLATION
INTO FORK)

TORQUE:
80±5
IN-LBS

REBOUND KNOB

LOCTITE:
BLUE 242
ONE DROP

Fastener, Standard: Screw [#8-32 X 0.250 TLG]

TORQUE:
5.0±1.0 IN. LB.

241-00-022
Fastener, Custom: Nut, Bottom, 011

241-01-011
Fastener, Custom: Crush Washer, Plastic, 13mm

820-05-377-KIT
2016 FIT4 Bottom Stud Interface Parts 36, 38 and 40

TOPCAP INTERFACE PARTS:
820-05-456-KIT: 2018 FIT4 TopCap Interface Parts F-S Remote, U-Cup, Push-Lock
820-05-455-KIT: 2018 FIT4 TopCap Interface Parts F-S Remote, U-Cup, Push-Unlock

REMOTE HOUSING

TORQUE:
220±5 IN. LB.

REFERENCE ONLY
(FOR INSTALLATION
INTO FORK)

GREASE:
THIN LAYER OF
BLUE MARINE GREASE

TORSION SPRING

Bearing, Roller, 14mm OD x 7mm ID x 3.5mm TLG

Set Screw [M4x4mm], SST, Cup Point, Patchlock

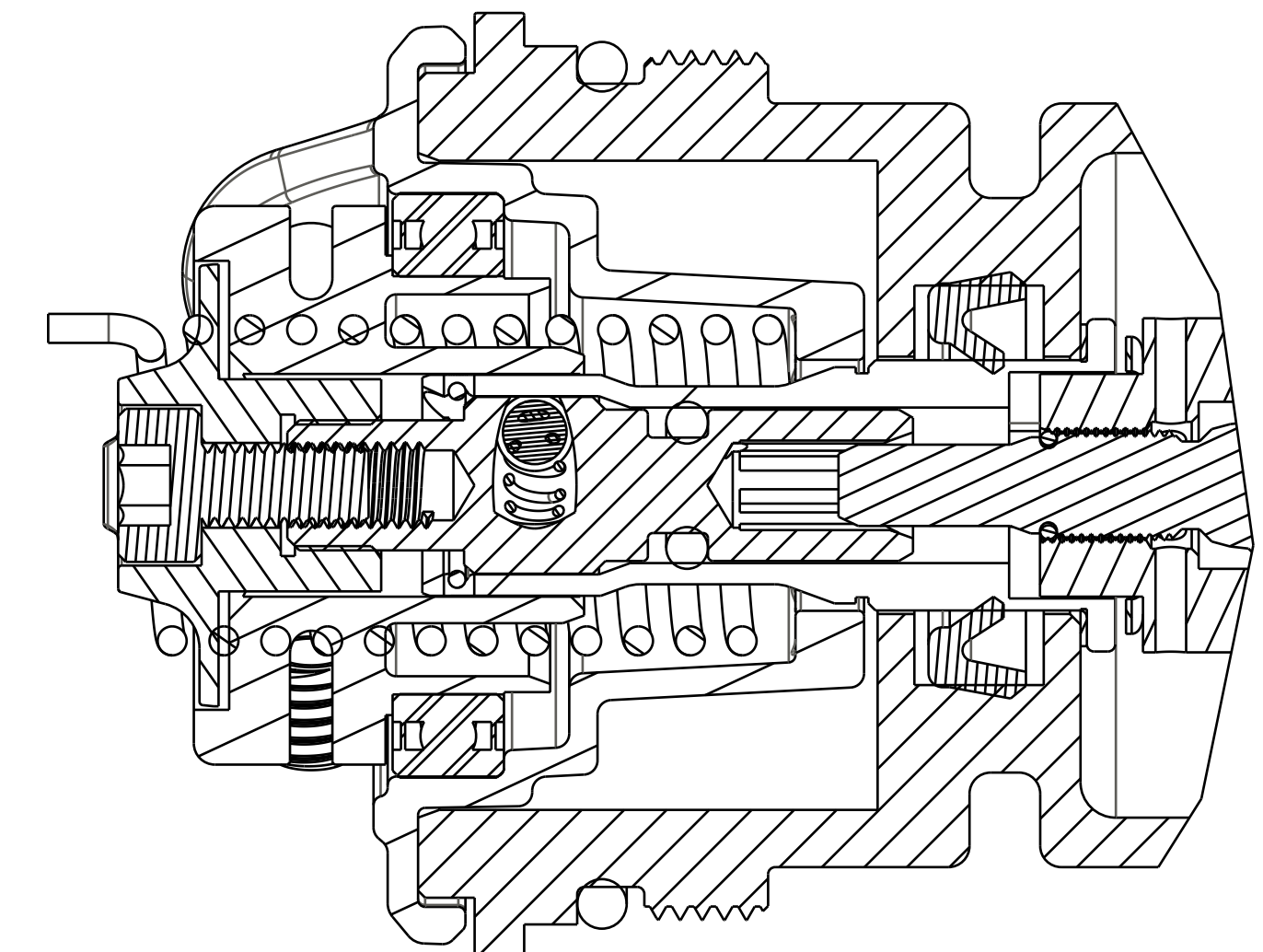
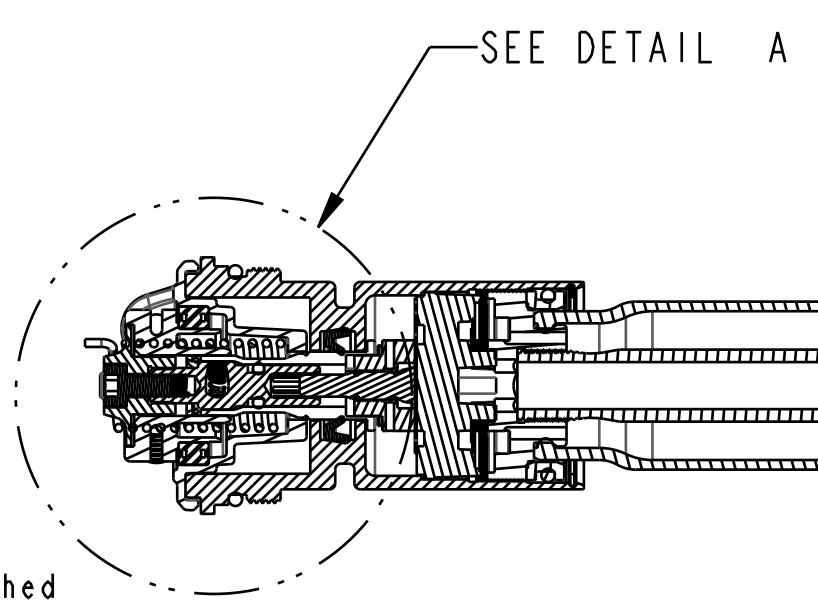
Cable Pulley, Remote, LSC, FIT4, Bearing, Thru Broached

Remote Compression Adjust Knob, F-S, FIT4

Fastener, Standard (Metric): Screw [M3 X 6mm] SHCS, Patchlock

TORQUE:
11±3 IN. LB.

IMPORTANT:
DO NOT ALLOW PULLEY
TO ROTATE WHILE TORQUING



DETAIL A
SCALE 4:1

SECTION A-A

PROPRIETARY
THIS DOCUMENT CONTAINS CONFIDENTIAL, PROPRIETARY INFORMATION
THAT IS FOR PROPERTY USE ONLY. DO NOT DISCLOSE TO OR DUPLICATE
FOR OTHERS EXCEPT AS AUTHORIZED BY FOX.

FOX Factory, Inc. Ph 831-768-1100
130 Hangar Way, Watsonville, CA 95076 USA Fax 831-768-9312

TITLE
2021 36 FIT4 F-S REMOTE
CARTRIDGE ASSEMBLIES COMPLETE

SIZE DWG. NO.
D

PLOT SCALE 1.00:1 | SHEET 1 OF 1