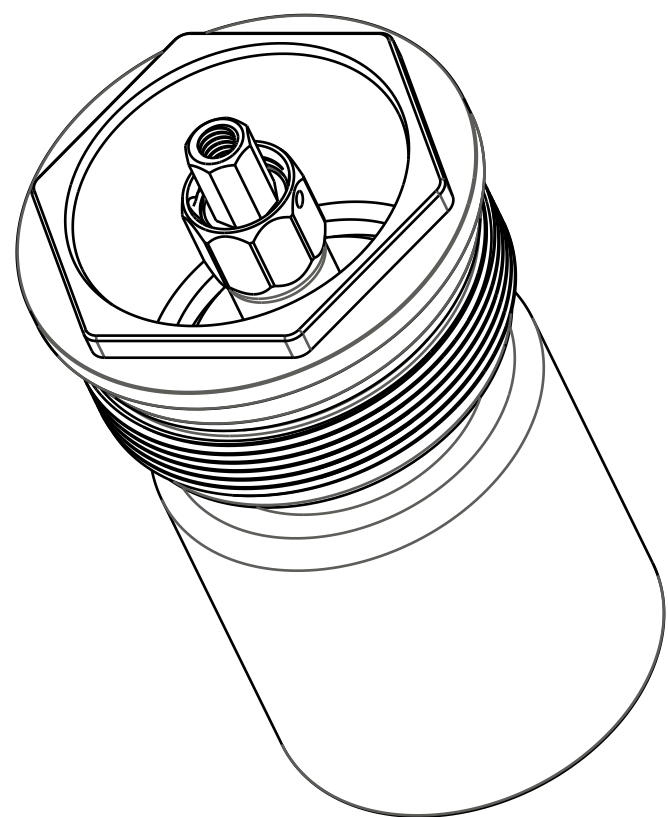


4

3

2

1



TOPCAP BODY

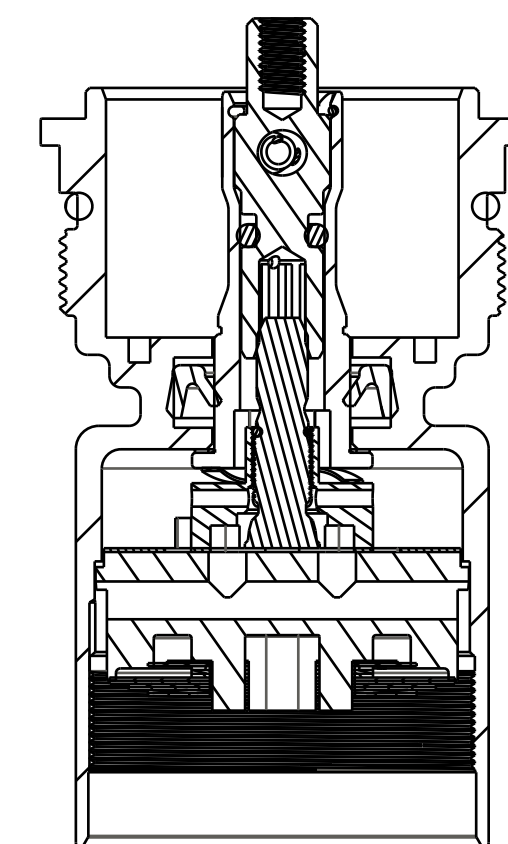
GREASE:  
THIN LAYER  
OF SLICK HONEY

TOPCAP O-RING

Seals: U-cup, Low Friction, 9mm Shaft

TOPCAP PARTS:  
 820-03-534-KIT: 2018 FIT4 Lightweight F-S Top Cap Parts, Remote, U-Cup  
 820-03-539-KIT: 2018 FIT4 Lightweight F-S Top Cap Parts, Remote, U-Cup, Push-Lock  
 820-03-542-KIT: 2018 FIT4 Lightweight F-S Top Cap Parts, Remote, U-Cup, Push-Unlock

COMPRESSION VALVING:  
 820-03-624-KIT: 2020 FIT4 Compression Valving Assy, CL tune, 8mm Shaft  
 820-03-613-KIT: 2020 FIT4 Compression Valving Assy, 8mm Shaft



- PROPRIETARY -  
 THIS DOCUMENT CONTAINS CONFIDENTIAL, PROPRIETARY INFORMATION  
 THAT IS FOX PROPERTY. DO NOT DISCLOSE TO OR DUPLICATE  
 FOR OTHERS EXCEPT AS AUTHORIZED BY FOX.

**FOX** **FOX Factory, Inc.** Ph 831-768-1100  
 130 Hangar Way, Watsonville, CA 95076 USA Fax 831-768-9312

TITLE **2021 36 FIT4 F-S REMOTE TOPCAP ASSEMBLIES**

SIZE DWG. NO. **C**

PLOT SCALE | .50:1 | SHEET 1 OF 1

4

3

2

PrøE ASSEM