

4

3

2

1

D

D

C

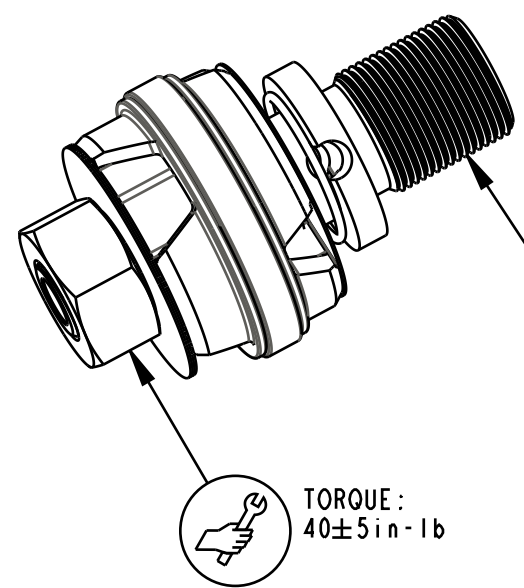
C

B

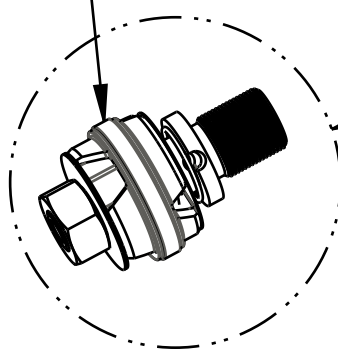
B

A

A

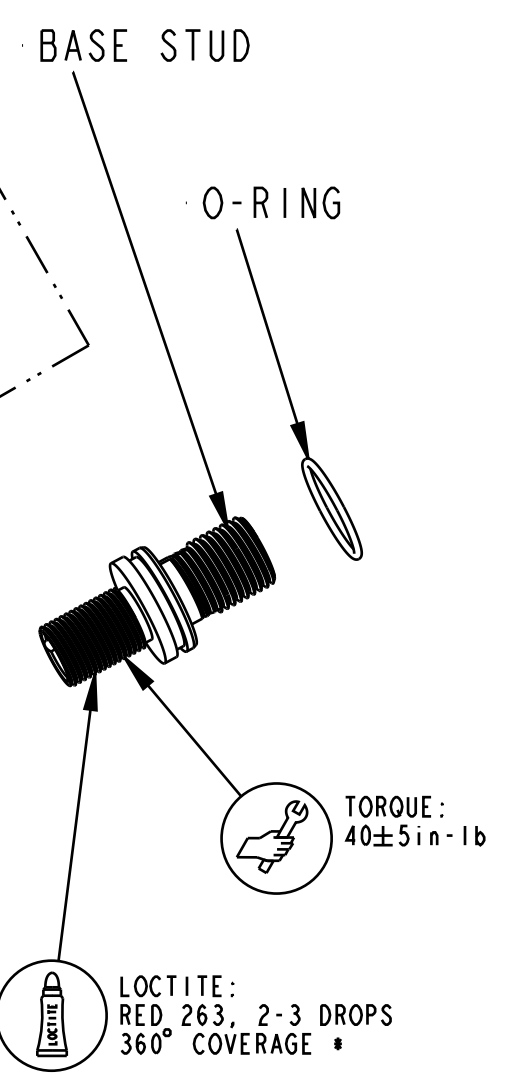


REBOUND PISTON ASSEMBLIES:  
 820-03-591-KIT: 2019 Grip E-Bike Rebound Piston Assy  
 820-03-646-KIT: 2020 Grip Rebound Piston Assy, Light Tune  
 820-03-330-KIT: 2017 Grip Rebound Piston Assy



820-03-525-KIT  
 2019 Grip, All, Bearing Housing Assy

APPLY BLUE MARINE GREASE  
 TO THREADS ON ALUMINUM  
 REBOUND NEEDLES ONLY

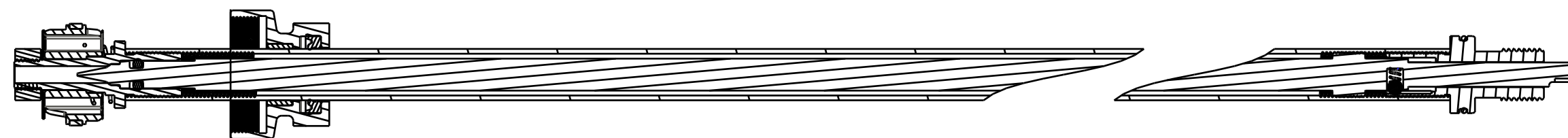


DAMPER SHAFT

REBOUND NEEDLE

Ball [Ø.1094]

Spring: Detent [.138 TLG, .087 OD, 48 lb/in]



O-Ring (-005) [.070 C.S. X 0.101 ID]

- PROPRIETARY -  
 THIS DOCUMENT CONTAINS CONFIDENTIAL, PROPRIETARY INFORMATION  
 THAT IS FOX PROPERTY. DO NOT DISCLOSE TO OR DUPLICATE  
 FOR OTHERS EXCEPT AS AUTHORIZED BY FOX.

|            |   |              |                  |
|------------|---|--------------|------------------|
|            | <b>FOX Factory, Inc.</b>                        |              | Ph 831-768-1100  |
|            | 130 Hangar Way, Watsonville, CA 95076 USA       |              | Fax 831-768-9312 |
| TITLE      | <b>2021 36 GRIP<br/>DAMPER SHAFT ASSEMBLIES</b> |              |                  |
| SIZE       | DWG. NO.  | C            |                  |
| PLOT SCALE | 1:1   | SHEET 1 OF 1 |                  |