

4

3

2

1

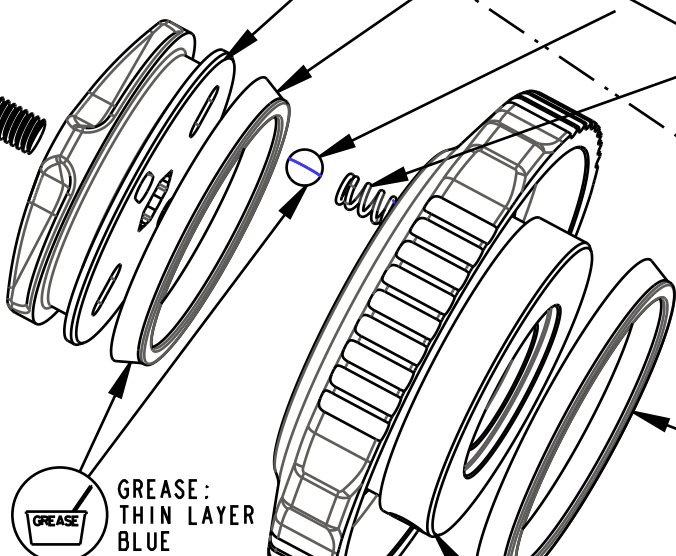
Damping Adj Part: Selector, LSC, Grip F-S

Seals: U-Cup, Shore 70A, 2013 CTD-ADJ, Remote Fit-CTD and Remote O/C-CTD

Air Valve Parts: Ball [Ø 0.0938]
52100 Grade 25 Steel, Chrome

Spring: Detent [.138 TLG, .087 OD, 48 lb/in]

TORQUE:
4.0±1.0 in-lb



GREASE:
THIN LAYER
BLUE

GREASE:
THIN LAYER
BLUE

Fastener, Standard: Screw [#8-32 X 0.250
TLG] 303 SS, Socket Set Half Dog Point

TORQUE:
8.0±0.5 in-lb

Fastener Standard (Metric):
Screw [M2.5 X 6mm] Socket
Head Cap, Steel, Black

Seals: U-Cup, Shore 70A, 2013 Fit-CTD and CTD-ADJ

Damping Adj Part: Knob, HSC, Grip F-S

Spring: Detent [.138 TLG, .087 OD, 48 lb/in]

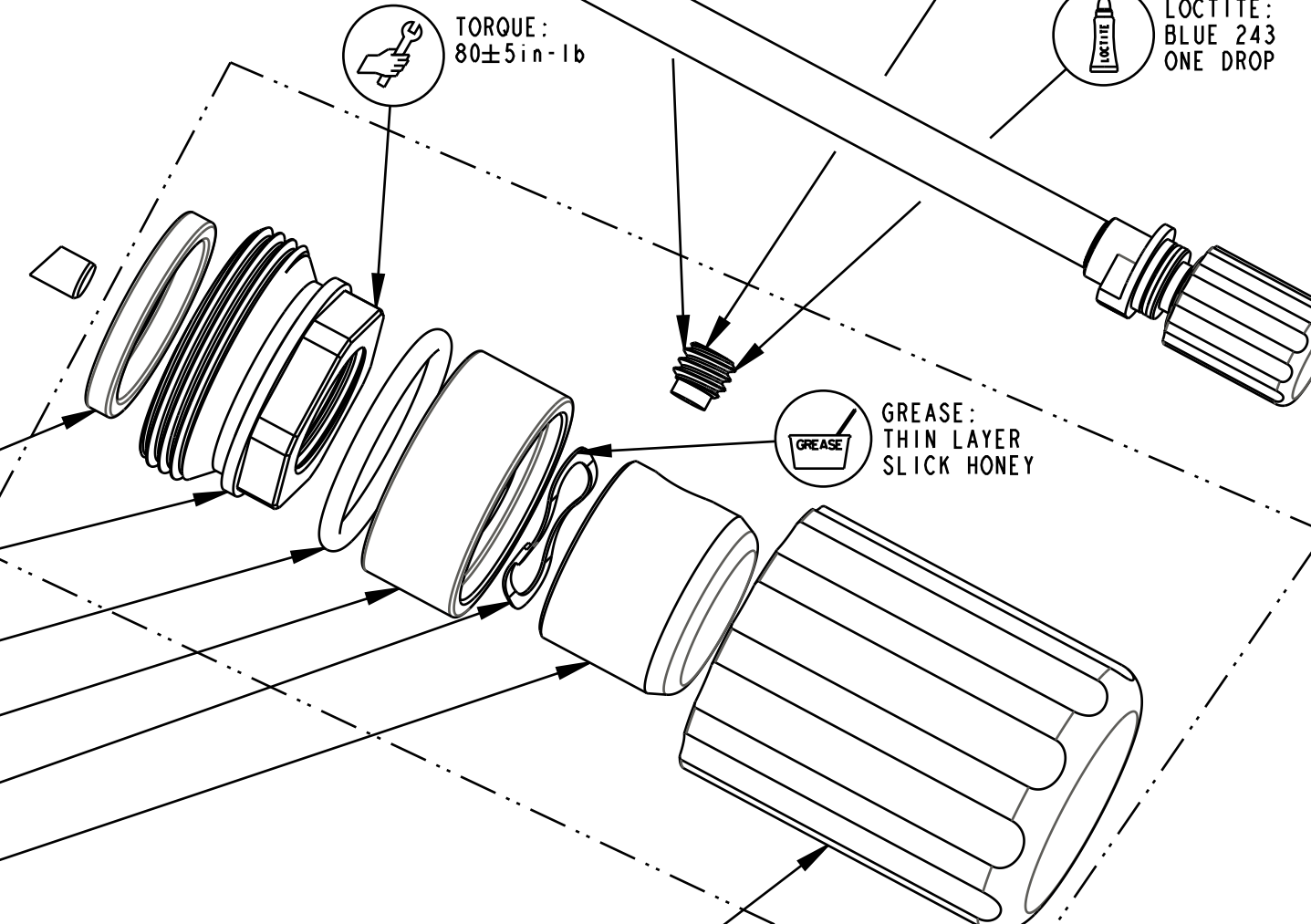
820-05-669-KIT
2021 Grip2 VVC HSC / LSC Topcap Interface Parts

Air Valve Parts: Ball [Ø 0.0938]
52100 Grade 25 Steel, Chrome

GREASE:
THIN LAYER
BLUE

TORQUE:
80±5 in-lb

LOCTITE:
BLUE 243
ONE DROP



GREASE:
THIN LAYER
SLICK HONEY

Fastener, Custom: Crush Washer, Plastic, 13mm

Fastener, Custom: Nut, Bottom, 011

Seals: O-Ring [15mm ID x 1.5mm CS] Metric, N-70, Static

Knob, Rebound, Grip F-S, HSR

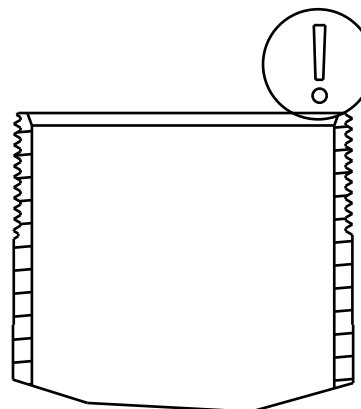
Spring, Wave, .500 Bore, .390 Shaft, .05 Work Height, SS

Fastener, Custom: Cover, Nut, Rhythm 36

Knob, Rebound, Grip F-S, LSR

820-05-501-KIT
2019 Grip2 HSR / LSR Bottom Stud Interface Parts

IMPORTANT:
TOPCAP TO BE CLEAN



FOX **FOX Factory, Inc.** Ph 831-768-1100
130 Hangar Way, Watsonville, CA 95076 USA Fax 831-768-9312

TITLE
**2021 36 GRIP2 VVC
CARTRIDGE ASSEMBLIES COMPLETE**

SIZE DWG. NO.
C
PLOT SCALE 1:1.333 | SHEET 1 OF 1

- PROPRIETARY -
THIS DOCUMENT CONTAINS CONFIDENTIAL, PROPRIETARY INFORMATION
THAT IS FOX PROPERTY. DO NOT DISCLOSE TO OR DUPLICATE
FOR OTHERS EXCEPT AS AUTHORIZED BY FOX.

4

3

2

1

ProE ASSEM