

4

3

2

1

D

D

C

C

B

B

A

A

Valve: Metric [17.35mm OD X 7mm ID X 0.15mm THK]

\* PISTON ORIENTATION IS CRITICAL  
SMALL PORTS FACE NUT

Damping Adj Part: Piston Stud, 6mm

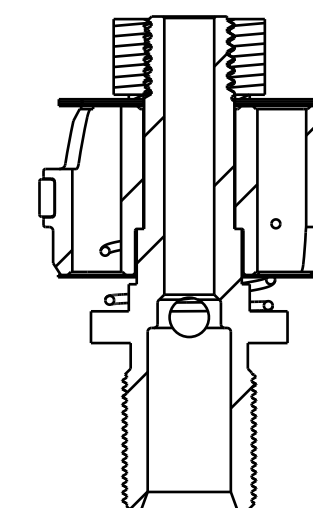
Spring: Rebound Check, 09 36-40

Bearing, External: Glide Ring, Molded, Z-Cut, Grip

Piston, Damping, Rebound, MIM, 20.0 Bore

820-03-645-KIT  
2020 Grip Rebound Valving, Light Tune

Fastener, Standard (Metric), Nut, M6 x .75



SECTION A-A

- PROPRIETARY -  
THIS DOCUMENT CONTAINS CONFIDENTIAL, PROPRIETARY INFORMATION  
THAT IS FOX PROPERTY. DO NOT DISCLOSE TO OR DUPLICATE  
FOR OTHERS EXCEPT AS AUTHORIZED BY FOX.

**FOX** **FOX Factory, Inc.** Ph 831-768-1100  
130 Hangar Way, Watsonville, CA 95076 USA Fax 831-768-9312

TITLE  
**2020 Grip Rebound Piston Assy,  
Light Tune**

SIZE DWG. NO. **820-03-646-KIT**

PLOT SCALE 2.00:1 SHEET 1 OF 1

4

3

2

1