

REFERENCE ONLY  
(FOR INSTALLATION  
INTO FORK)

TORQUE:  
80±5  
IN-LBS

REBOUND KNOB

LOCTITE:  
BLUE 242  
ONE DROP

Fastener, Standard: Screw [#8-32 X 0.250 TLG]

TORQUE:  
5.0±1.0 IN. LB.

241-00-022  
Fastener, Custom: Nut, Bottom, 011

241-01-011  
Fastener, Custom: Crush Washer, Plastic, 13mm

820-05-377-KIT  
2016 FIT4 Bottom Stud Interface Parts 36, 38 and 40

820-05-456-KIT  
2018 FIT4 TopCap Interface Parts F-S Remote, U-Cup, Push-Lock

REMOTE HOUSING

REFERENCE ONLY  
(FOR INSTALLATION  
INTO FORK)

TORQUE:  
220±5 IN. LB.

GREASE:  
THIN LAYER OF  
BLUE MARINE GREASE

TORSION SPRING

Bearing, Roller, 14mm OD x 7mm ID x 3.5mm TLG

Set Screw [M4x4mm], SST, Cup Point, Patchlock

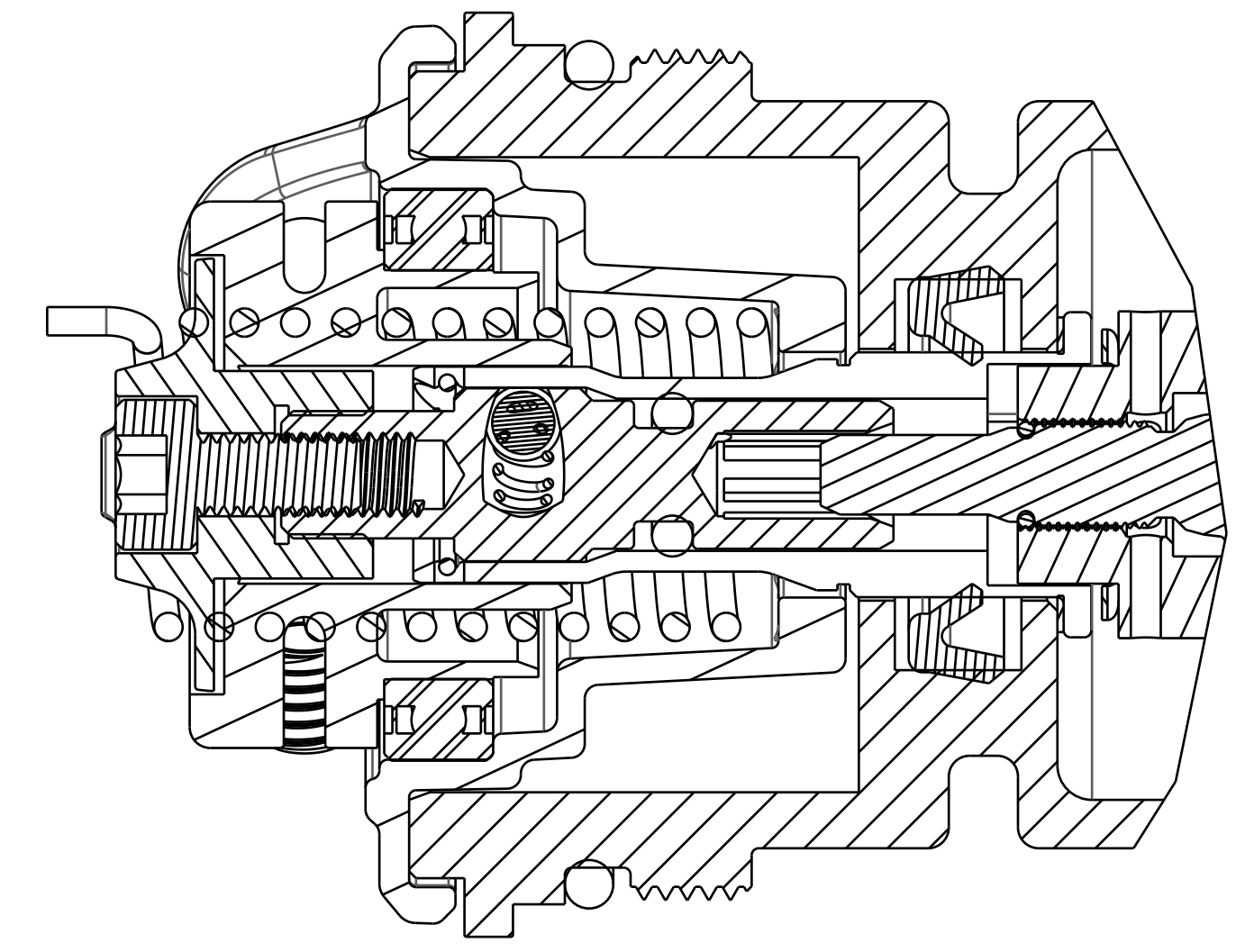
Cable Pulley, Remote, LSC, FIT4, Bearing, Thru Broached

Remote Compression Adjust Knob, F-S, FIT4

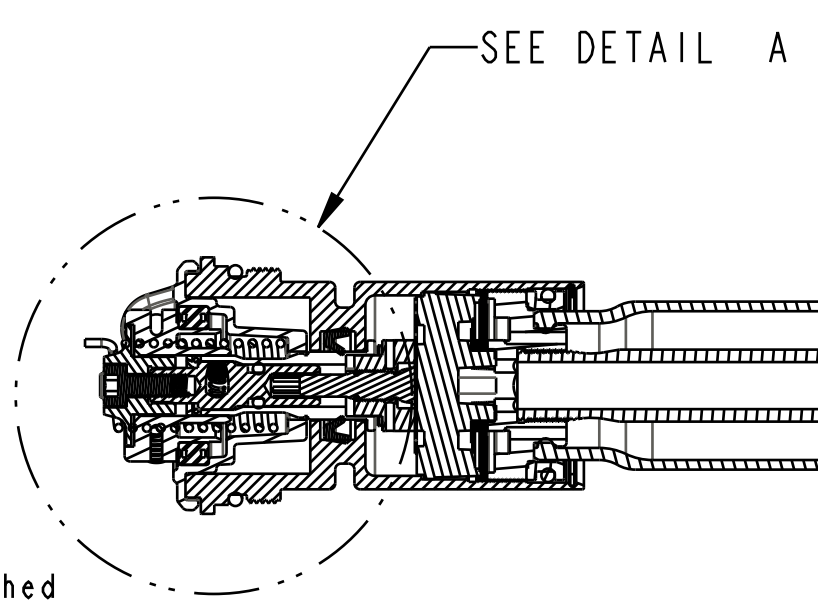
Fastener, Standard (Metric): Screw [M3 X 6mm] SHCS, Patchlock

TORQUE:  
11±3 IN. LB.

IMPORTANT:  
DO NOT ALLOW PULLEY  
TO ROTATE WHILE TORQUING



DETAIL A  
SCALE 4:1



SEE DETAIL A

SECTION A-A

**FOX Factory, Inc.**  
130 Hangar Way, Watsonville, CA 95076 USA  
Ph 831-768-1100  
Fax 831-768-9312

TITLE  
**2021 38 180 Max FIT4 E-Bike, Remote,  
Complete, Black Ano, PTL 2 Pos Adj**

SIZE DWG. NO.  
**D 820-18-353-KIT**

PLOT SCALE 1.00:1 | SHEET 1 OF 1

PROPRIETARY  
THIS DOCUMENT CONTAINS CONFIDENTIAL, PROPRIETARY INFORMATION  
THAT IS FOR PROPERTY USE ONLY. DO NOT DISCLOSE TO OR DUPLICATE  
FOR OTHERS EXCEPT AS AUTHORIZED BY FOX.