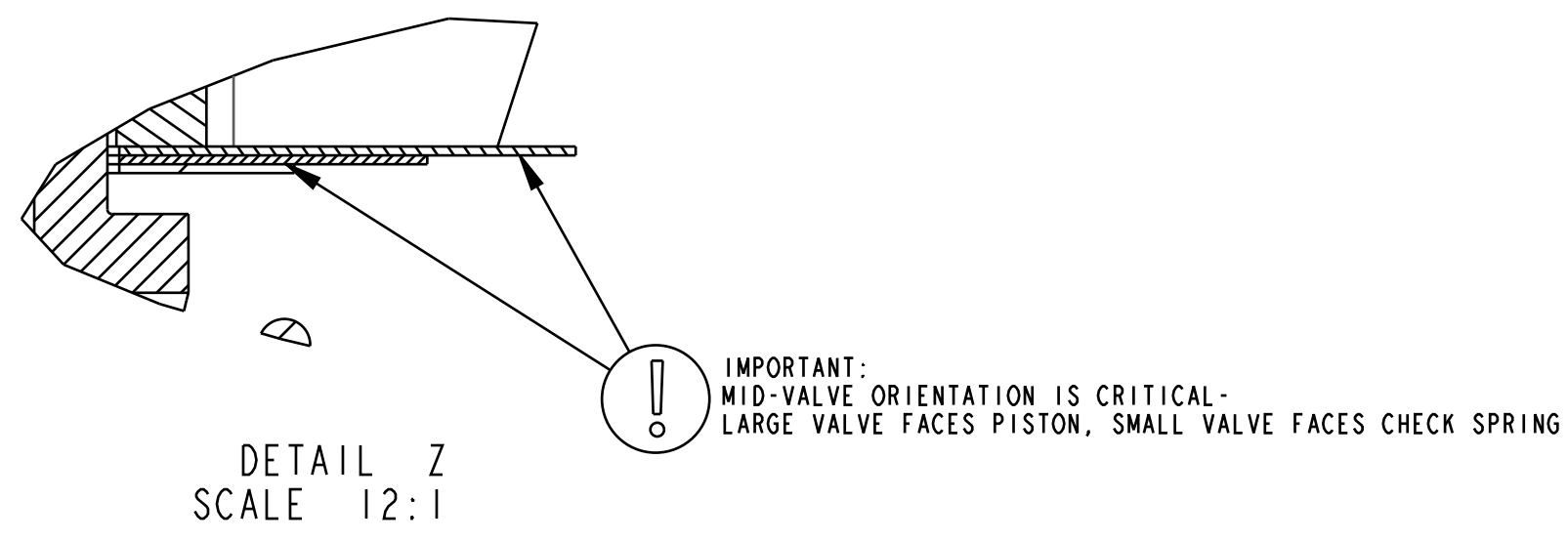
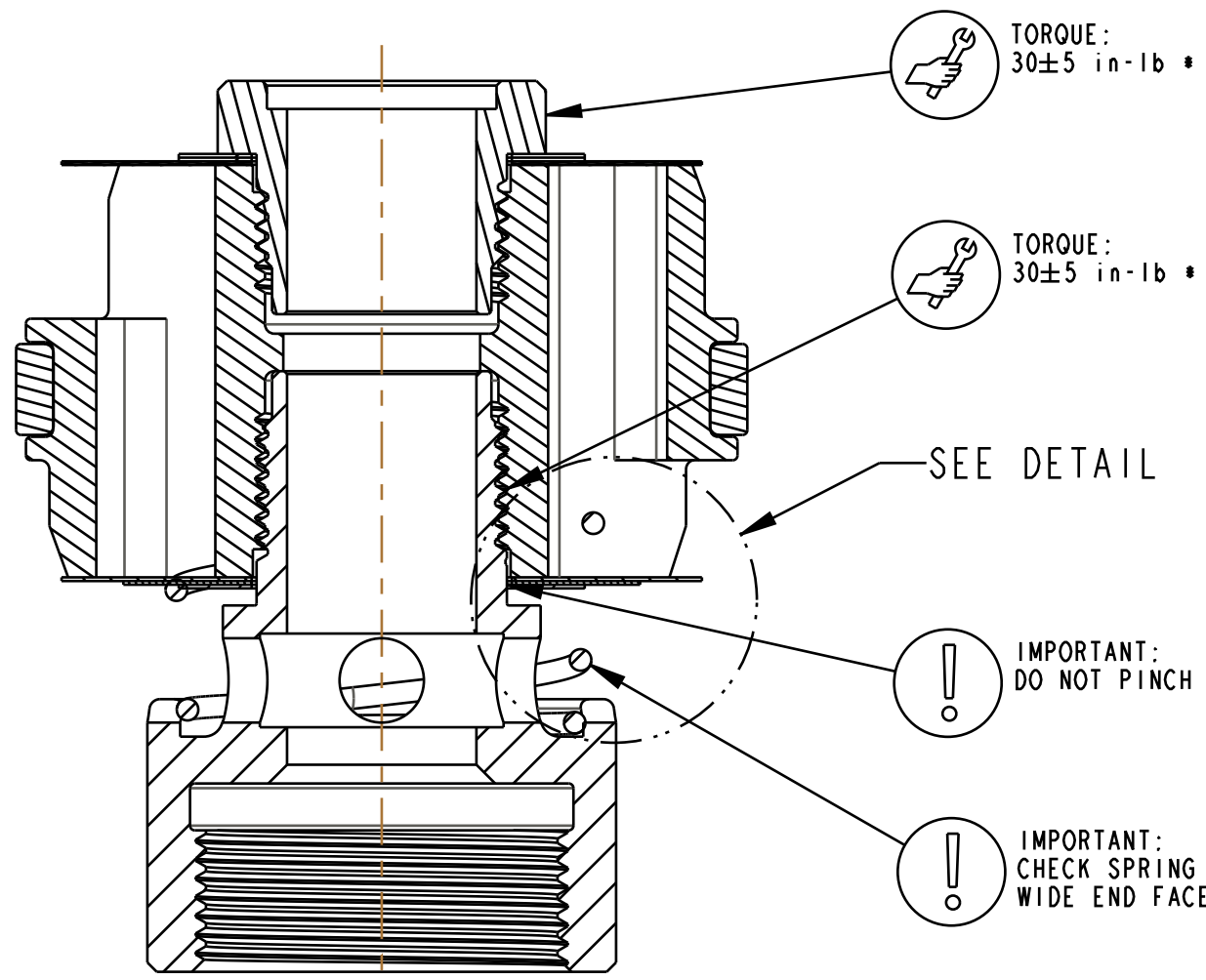


4

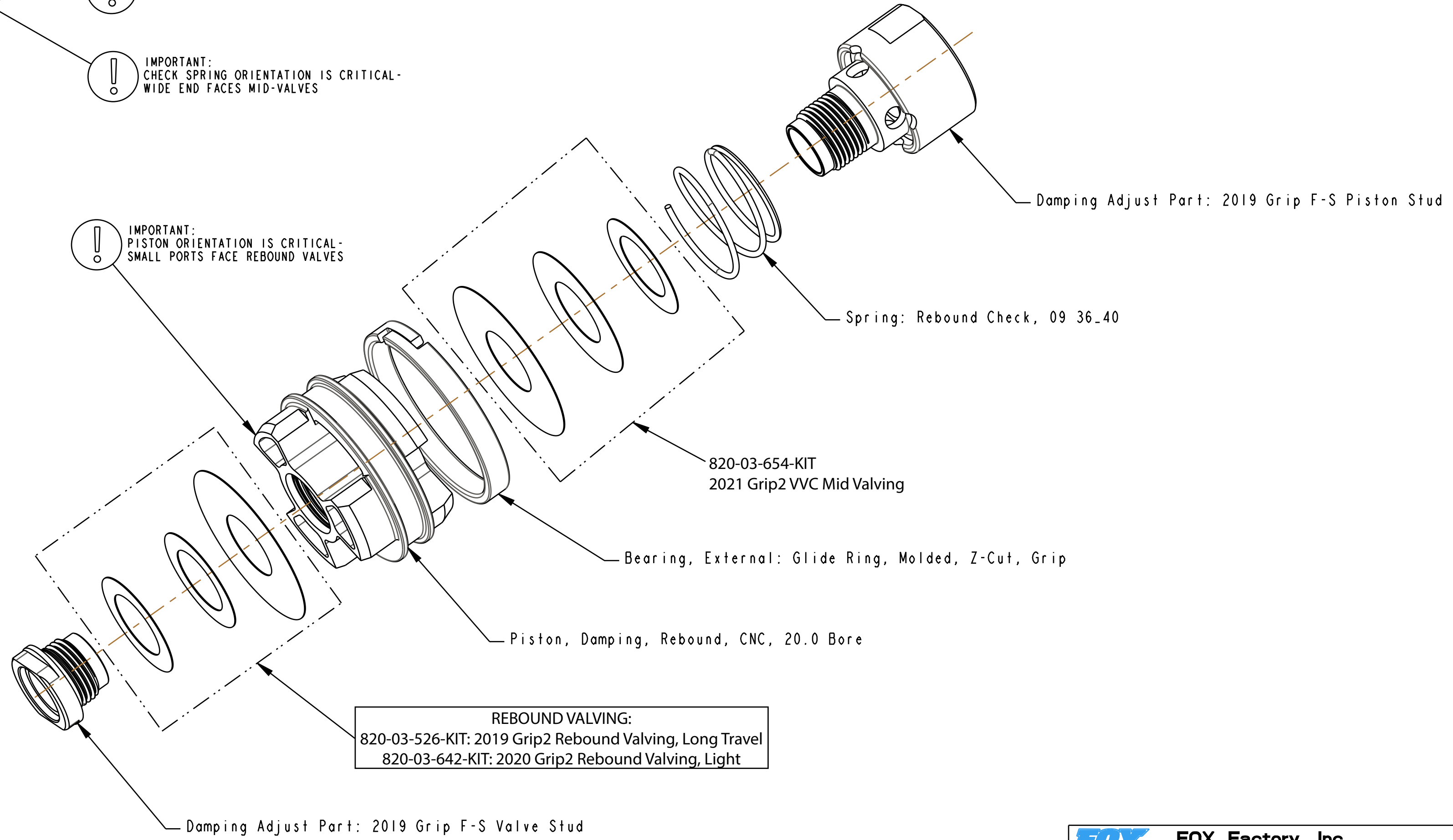
3

2

1



SECTION A-A
SCALE 5:1



REBOUND VALVING:
820-03-526-KIT: 2019 Grip2 Rebound Valving, Long Travel
820-03-642-KIT: 2020 Grip2 Rebound Valving, Light

		FOX Factory, Inc.	Ph 831-768-1100
		130 Hangar Way, Watsonville, CA 95076 USA	Fax 831-768-9312
TITLE			
2021 GRIP2 VVC HSR/LSR			
REBOUND PISTON ASSEMBLIES			
SIZE DWG. NO.			
C			
PLOT SCALE		3:1	SHEET 1 OF 1

PROPRIETARY - THIS DOCUMENT CONTAINS CONFIDENTIAL, PROPRIETARY INFORMATION THAT IS FOX PROPERTY. DO NOT DISCLOSE TO OR DUPLICATE FOR OTHERS EXCEPT AS AUTHORIZED BY FOX.

4

3

2

ProE ASSEM