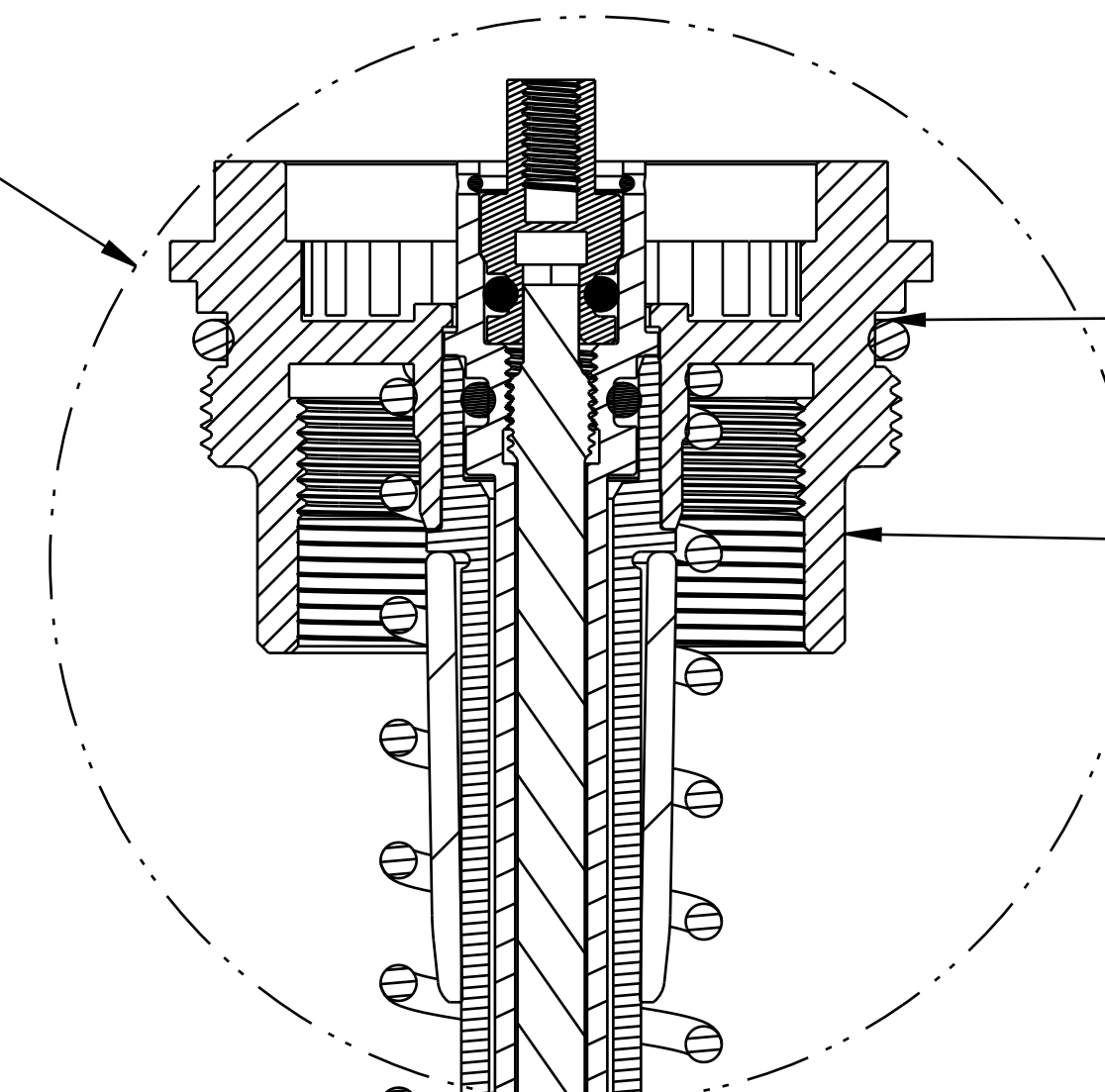


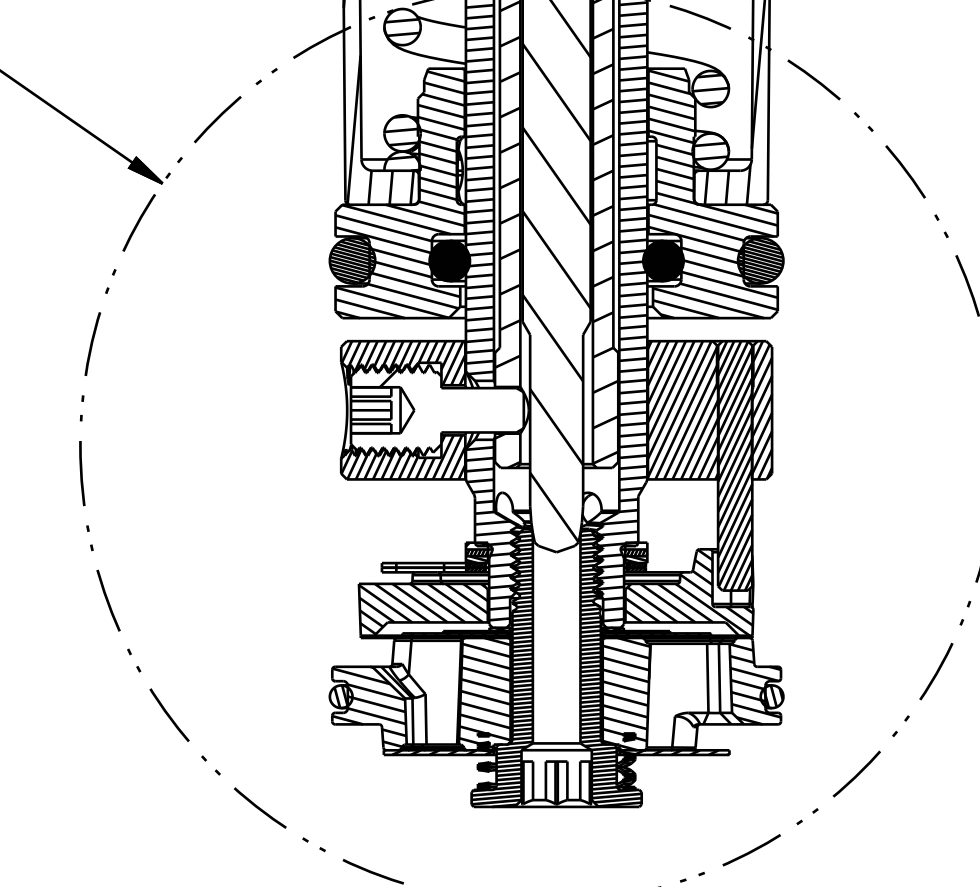
SEE DETAIL A



Seals: O-Ring

Damping Adj Part: Topcap

SEE DETAIL B



Spring, Piston, Floating, Grip

Sleeve: Isolator, Spring, OD, Grip

SECTION A-A
SCALE 3:1

PROPRIETARY - THIS DOCUMENT CONTAINS CONFIDENTIAL, PROPRIETARY INFORMATION THAT IS FOR PROPERTY. DO NOT DISCLOSE TO OR DUPLICATE FOR OTHERS EXCEPT AS AUTHORIZED BY FOX.

FOX Factory, Inc. 130 Hangar Way, Watsonville, CA 95076 USA Ph 831-768-1100 Fax 831-768-9312	
TITLE 2021 40 Grip2 VVC TPP Damper, Topcap Assy	
SIZE D	DWG. NO. 820-05-666-KIT
PLOT SCALE 2:1	SHEET 1 OF 3