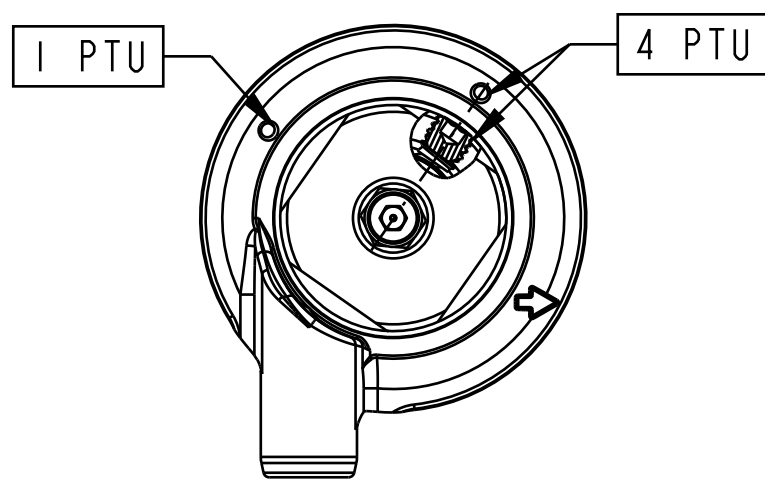


PROPRIETARY  
THIS DOCUMENT CONTAINS CONFIDENTIAL, PROPRIETARY INFORMATION  
THAT IS FOX PROPERTY. DO NOT DISCLOSE TO OR DUPLICATE  
FOR OTHERS EXCEPT AS AUTHORIZED BY FOX.

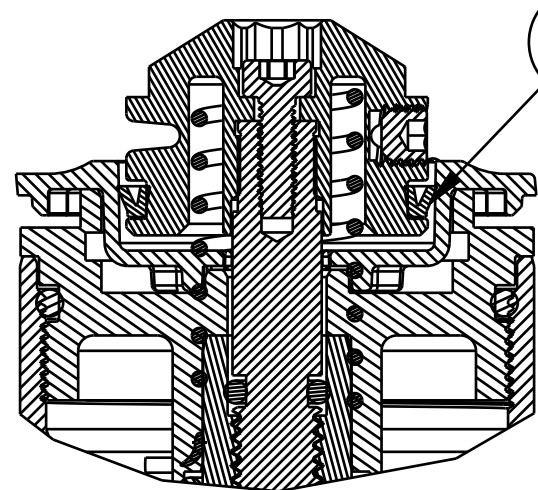
Fastener, Standard: Screw [#8-32 X  
0.250 TLG] 303 SS, Socket Set Half  
Dog Point

TORQUE:  
5.0±0.5 IN-LBF

IMPORTANT:  
NOTE SEAL ORIENTATION



PUSH-TO-UNLOCK  
SECTION C-C  
SCALE 3:2



SECTION A-A  
SCALE 2:1

820-05-615-KIT  
2020 Marzocchi Z2 34 Rail Bottom Stud Interface Parts

REBOUND KNOB

BOTTOM NUT

CRUSH WASHER

TOPCAP INTERFACE PARTS INSTALL NOTES:

**PUSH-TO-LOCK (PTL) INSTRUCTIONS:**

- 1 PTL SUB-ASSEMBLY TOPCAP INTERFACE PARTS WITH PULLEY SET SCREW FACING THE DOT OPPOSITE THE ARROW.
2. INSTALL 1 PTL SUB-ASSY TO DAMPER WITH ARROW FACING DESIRED DIRECTION FOR CABLE ROUTING. TIGHTEN THE SETSCREW 2-3 TURNS (DO NOT RUN DOWN).
3. ROTATE ONLY THE CABLE HOUSING 250° CCW (ONE 20° INDEX NOTCH POSITION LESS THAN 3/4 TURN) AFTER INSTALLING. CHECK CABLE DIRECTION. TORQUE THE SETSCREW WHILE HOLDING PULLEY.
- 4 PTL WHEN LOCKED OUT (ADD 4-5 IN-LBF CW TORQUE TO PULLEY), SET SCREW MUST BE ALIGNED TO MARK ±20°.
5. PULLEY MUST RETURN FREELY AFTER LOCKOUT (FROM FORCE OF TORSION SPRING ALONE).

**PUSH-TO-UNLOCK (PTU) INSTRUCTIONS:**

- 1 PTU SUB-ASSEMBLY TOPCAP INTERFACE PARTS WITH PULLEY SET SCREW FACING THE DOT OPPOSITE THE ARROW.
2. INSTALL 1 PTU PARTS SUB-ASSY TO DAMPER WITH ARROW FACING DESIRED DIRECTION FOR CABLE ROUTING. TIGHTEN THE SETSCREW 4-5 TURNS (DO NOT RUN DOWN).
3. ROTATE ONLY THE CABLE HOUSING 250° CW (ONE 20° INDEX NOTCH POSITION LESS THAN 3/4 TURN) TO PRELOAD TORSION SPRING. CHECK CABLE DIRECTION.
- 4 PTU WHEN LOCKED OUT (STEP 3 COMPLETE, NO EXTRA TORQUE ADDED TO PULLEY), CHECK THAT SET SCREW IS ALIGNED TO MARK ±20°. TORQUE THE SETSCREW WHILE HOLDING PULLEY.
5. PULLEY MUST RETURN FREELY AFTER UNLOCK (FROM FORCE OF TORSION SPRING ALONE).

TORQUE: PUSH-TO-LOCK & PUSH-TO-UNLOCK:  
TORQUE NEEDLE TO 8.0±0.8 OZF-IN BEFORE  
INSTALLING TOPCAP INTERFACE PARTS

820-05-643-KIT  
2020 Marzocchi Z2 34 E-Bike+ RAIL  
Remote Topcap Comp Assy, Black Ano

820-03-636-KIT  
2020 Marzocchi Z2 34 E-Bike+ RAIL 100-150  
Damper Shaft Assy Complete

GREASE:  
THIN LAYER BLUE MARINE  
GREASE ON ID AND OD

REFERENCE ONLY  
(FOR INSTALLATION  
INTO FORK)

TORQUE:  
220±5 IN-LBF

TORQUE:  
(10±1 IN-LBF)  
REF: FOR BIKE INSTALL

CABLE HOUSING

820-05-690-KIT  
2022 FOX E-SUV 34 Rail PTL Remote, Topcap Interface Parts

TORSION SPRING

Seals: U-Cup, Shore 70A, 2013 CTD-ADJ, Remote Fit-CTD and Remote O/C-CTD

CABLE PULLEY REMOTE

Fastener: Custom  
(Metric): Set  
Screw [M4 x  
.7mm x 3mm]  
SST, Patchlock

TORQUE:  
6±1 IN-LBF

Fastener Standard (Metric): Screw [M2.5 X 8mm] Socket Head Cap, SS



2022 Fox E-SUV 34 E-Bike+ RAIL PTL Remote  
100-150 Travel Cart Assy Complete

SIZE C PART NO. 820-18-436-KIT

PLOT SCALE 1:2 SHEET 1 OF 1