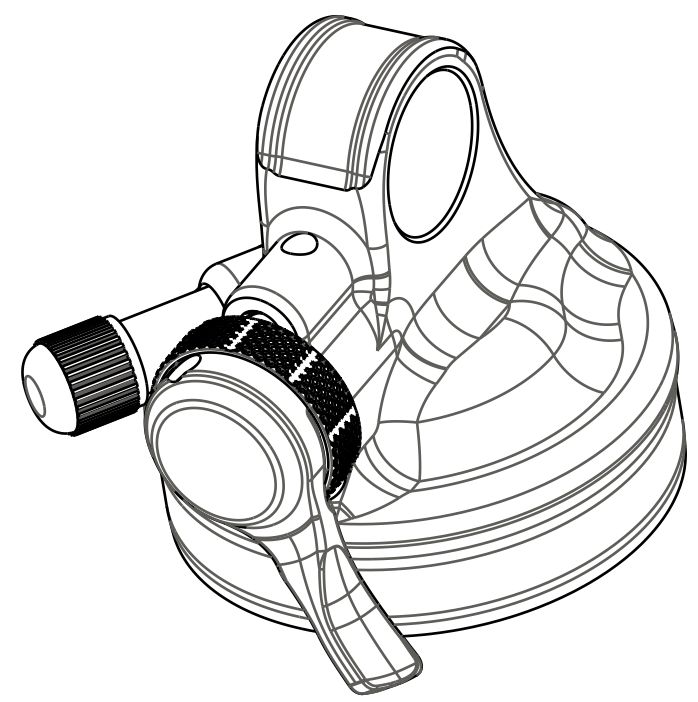


4

3

2

1



803-01-178
Service Set: Air Valve Part: Housing, Tank Valve,
DHX2, FloatX2, 2017 DPST

AIR VALVE O-RING

Set Screw: Custom Dog Point, Radius [M3 x .5mm, .300 TLG], SS

TORQUE:
TO CAM SHAFT
AND BACK OFF 1/4 TURN

TORQUE:
35±5 IN LB

EYELET

Air Valve Parts: Cap, Air Valve [.305-32], Black, 6061

Spring: [0.190 TLG X 0.120 OD X 25.6 lbs/in] 17-7 SS, left hand wound

Seals: O-Ring [7.5MM ID x 1.5MM CS]
Metric, N-70, Static

GREASE:
THIN LAYER
HIGH TEMP BLUE

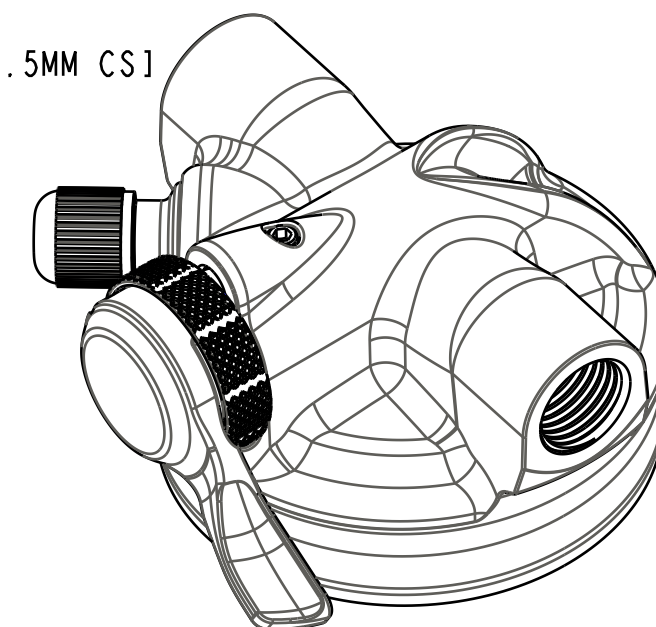
EYELET O-RING

Ball [Ø 0.1250] Steel

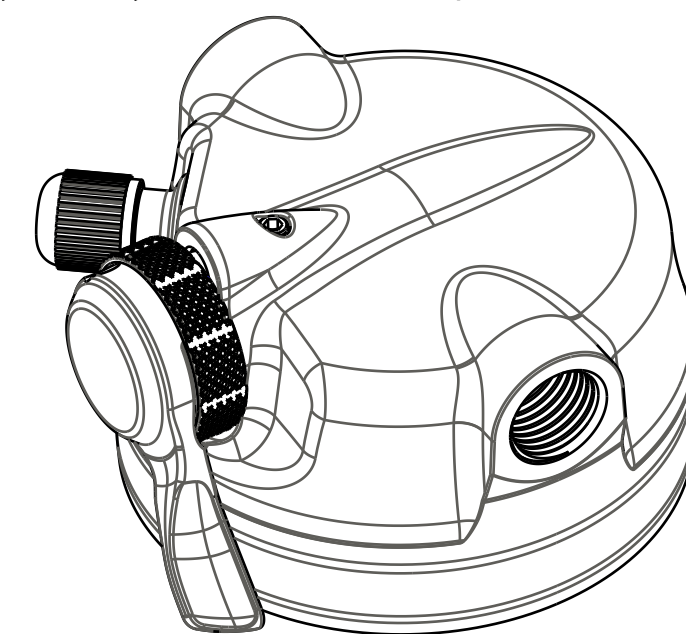
TORQUE:
5±1 IN LB

Cam: CD Adj, 2016 Float DPS, 3pos

GREASE:
THIN LAYER
HIGH TEMP BLUE



808-17-306-KIT
Eyelet Assy: 2017, FLOAT DPS, 3pos, SV, Trunnion



808-17-307-KIT
Eyelet Assy: 2017, FLOAT DPS, 3pos, LV, Trunnion

Damp Adj Part: Knob, RD Adj, 2013 FLOAT CTD Perf And Evol

Socket Set Dog Point [M3 x .5mm x 6mm] Damp Adj Part: Lever, CD Adj, 2020 Float DPS, 3pos, No Etch

FOX **FOX Factory, Inc.** Ph 831-768-1100
130 Hangar Way, Watsonville, CA 95076 USA Fax 831-768-9312

TITLE
**2021 FLOAT DPS 3POS EYELETS:
TRUNNION SV & TRUNNION LV**

SIZE DWG. NO.
C
PLOT SCALE | .50 : 1 | SHEET 1 OF 2

- PROPRIETARY -
THIS DOCUMENT CONTAINS CONFIDENTIAL, PROPRIETARY INFORMATION
THAT IS FOX PROPERTY. DO NOT DISCLOSE TO OR DUPLICATE
FOR OTHERS EXCEPT AS AUTHORIZED BY FOX.

4

3

2

ProE ASSEM