

4

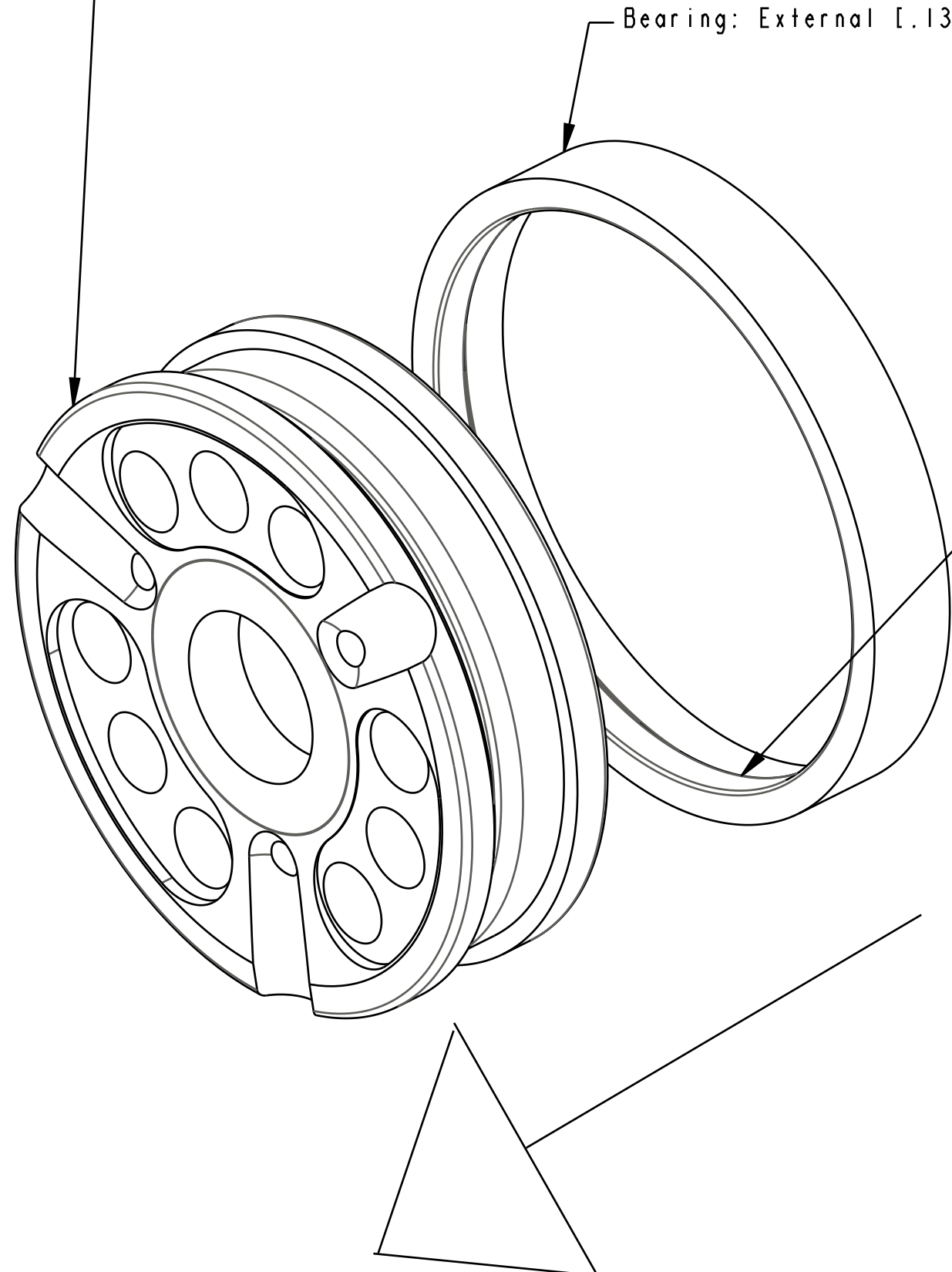
3

2

1

Piston: Main, 2018 DPS, Digressive, NC

Bearing: External [.136 W x .941 OD x .031 TH] W/Step



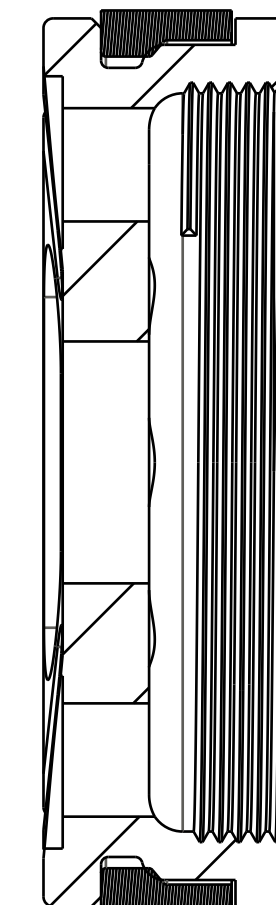
CHECK: ORIENTATION OF INNER RIB FEATURE



NOTE: PUSH PISTON ASSEMBLY THRU SIZING BORE IN THIS ORIENTATION ONLY



NOTE: INSTALLATION DIRECTION



SECTION A-A

FOX **FOX Factory, Inc.** Ph 831-768-1100
 130 Hangar Way, Watsonville, CA 95076 USA Fax 831-768-9312

TITLE
 Piston Assy: Damping, FLOAT
 DPS Anti-Clunk, Digressive

SIZE DWG. NO.
C 805-02-305-KIT

PLOT SCALE 5:1:1 SHEET 1 OF 1

- PROPRIETARY -
 THIS DOCUMENT CONTAINS CONFIDENTIAL, PROPRIETARY INFORMATION
 THAT IS FOX PROPERTY. DO NOT DISCLOSE TO OR DUPLICATE
 FOR OTHERS EXCEPT AS AUTHORIZED BY FOX.

4

3

2

1