

MAIN CHAMBER VOLUME SPACERS:
 233-00-217: Volume Spacer: 2018 Nude 4, 0.1in³, One Piece EVOL
 233-00-394: Volume Spacer: 2019 Nude 4, 0.2in³, 165x40 One Piece EVOL

812-06-087-KIT
 Bearing Assy: FLOAT, 2018, Short [.940 Bore, 1.500 Bore, 9mm Shaft]

OIL:
 THIN LAYER
 FLOAT FLUID

018-08-013
 Slotted Spring Pin, [IMM Diameter X 6mm Length], 18-8 SS

COMPRESSION ROD

GREASE:
 THIN LAYER
 SLICK HONEY

807-06-401-KIT
 Valving Assy: 2019 Float DPS, Remote, Linear piston
 TORQUE:
 60±5 IN-LB

010-01-000
 Ball [Ø 0.1250] Steel

018-01-034
 Set Screw [#8-32 X 0.125 TLG] Flat Point, SS

TORQUE:
 14±2 IN-LB

IMPORTANT:
 PART ORIENTATION CRITICAL: FOX LOGO
 MUST FACE AGAINST EYELET BASE

Seals: O-Ring [8.5mm ID x 2.5mm CS]Metric, N-70, static

043-15-070
 Valve: [.850 OD X .356 ID x .015 TH]

Seals: O-ring [.050 C.S. x .154 ID] Special N0552-90, Dynamic

Seals: O-ring, Square cut [0.087 ID X 0.039 WALL X 0.036 TH], NA103-70, Dynamic

TORQUE:
 3±.25 IN-LB

018-01-015-A
 Screw [#1-64 X .188 TLG]

GREASE:
 THIN LAYER
 SLICK HONEY

TORQUE:
 20±2 FT-LB

BODY

TRAVEL INDICATOR O-RING

GREASE:
 THIN LAYER
 SLICK HONEY

AIR SLEEVE ASSEMBLY

GREASE:
 THIN LAYER
 OF SLICK HONEY

TORQUE:
 45±5 IN-LB

010-00-011
 Pellet [Ø 0.275 X 0.125 TLG] NBR A90

010-00-010
 Pellet Retainer [5/16-24, .220 TLG]

010-01-003
 Ball [Ø 0.1875] Delrin

TORQUE:
 14±2 IN-LB

805-00-092-KIT
 Piston Assembly: Floating [Ø 0.940 Bore, 0.325 TLG]

018-05-062
 Fastener, Standard: Washer [.087 ID X .177 OD X .0315 TH] Steel, Zinc

241-01-074
 Tri-lobe Lockout Plate: [.800 OD, .020 TH], 20L/20C Steel

010-01-009
 Ball [Dia 1.5MM]Steel

REBOUND METERING ROD

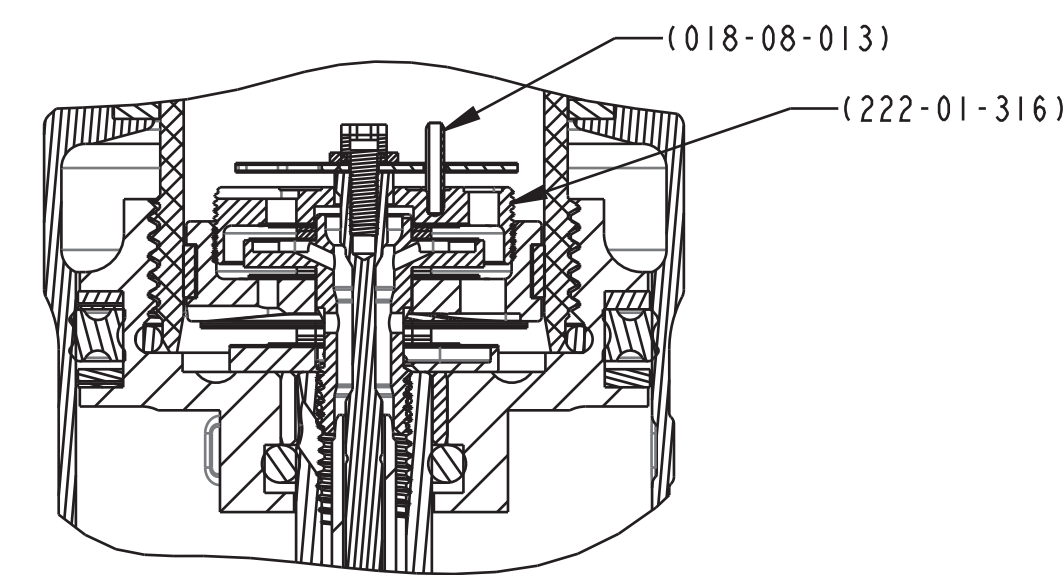
GREASE:
 THIN LAYER
 SLICK HONEY

SHAFT

LOCTITE:
 RED 277

TORQUE:
 85±5 IN-LB

808-17-411-KIT
 Eyelet Assy: 2022 Nude 5



SECTION B-B
 SCALE 2:1

FOX Factory, Inc.
 130 Hangar Way, Watsonville, CA 95076 USA
 Ph 831-768-1100
 Fax 831-768-9312

2022 SCOTT NUDE 5

SIZE DWG. NO. D
 PLOT SCALE 1:1 SHEET 1 OF 2

PROPRIETARY - THIS DOCUMENT CONTAINS CONFIDENTIAL, PROPRIETARY INFORMATION THAT IS FOR PROPERTY. DO NOT DISCLOSE TO OR DUPLICATE FOR OTHERS EXCEPT AS AUTHORIZED BY FOX.