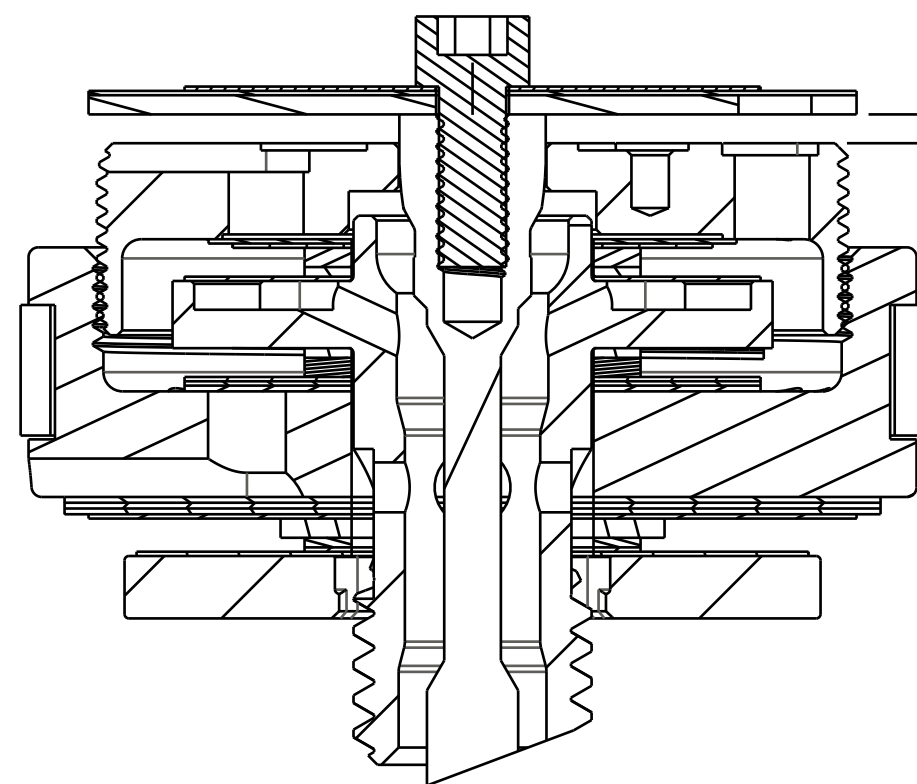


4

3

2

1



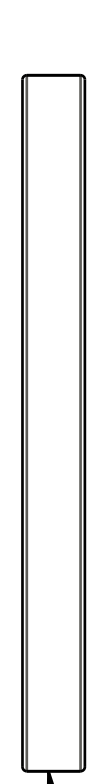
805-02-304-KIT
Piston Assy: Damping, FLOAT DPS Anti-Clunk, Linear

TORQUE:
60 +/- 5 IN-LB
CUSTOM SOCKET 398-00-637

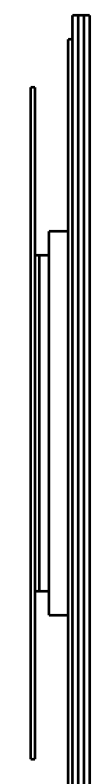
Piston Bolt: Float DPS w/ Check 2mm Cross Holes [1/4-28 X 5/8 Hex]

Piston: Lockout, Float DPS V3 [.200 TLG, M20 X 0.5] 416SS

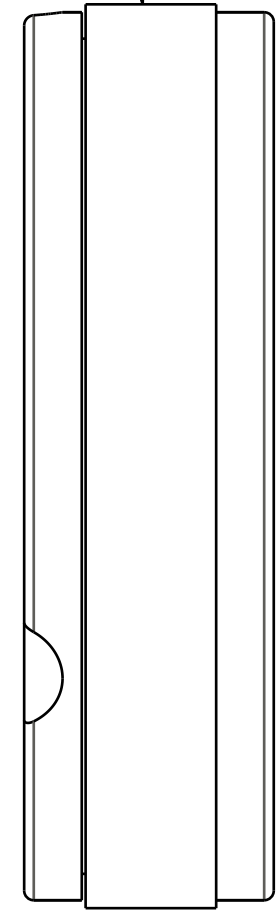
TORQUE:
22 +/- 2 IN-LB
CUSTOM SOCKET 398-00-638



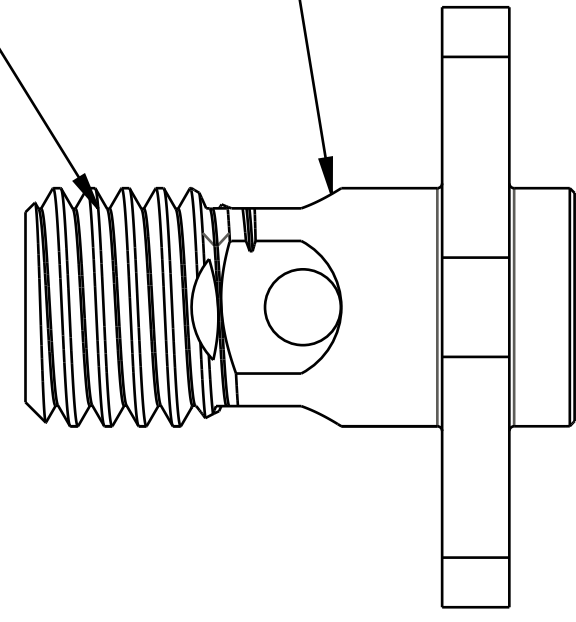
FLOAT MY2013 Check Piston [.700 OD X .252 ID X .065 TH] Round CNC, SS



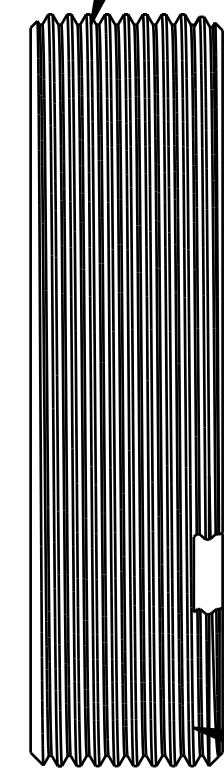
COMPRESSION VALVE STACK



REBOUND VALVE STACK



LOCKOUT VALVE STACK



FOX Factory, Inc. 130 Hangar Way, Watsonville, CA 95076 USA Ph 831-768-1100 Fax 831-768-9312	
TITLE	Valving Assy: 2019 Float DPS, Remote, Linear piston
SIZE	807-06-401-KIT
DWG. NO.	
PLOT SCALE	2.00:1
SHEET 1 OF 1	

PROPRIETARY
THIS DOCUMENT CONTAINS CONFIDENTIAL, PROPRIETARY INFORMATION
THAT IS FOX PROPERTY. DO NOT DISCLOSE TO OR DUPLICATE
FOR OTHERS EXCEPT AS AUTHORIZED BY FOX.

4

3

2

1