

4

3

2

1

D

D

C

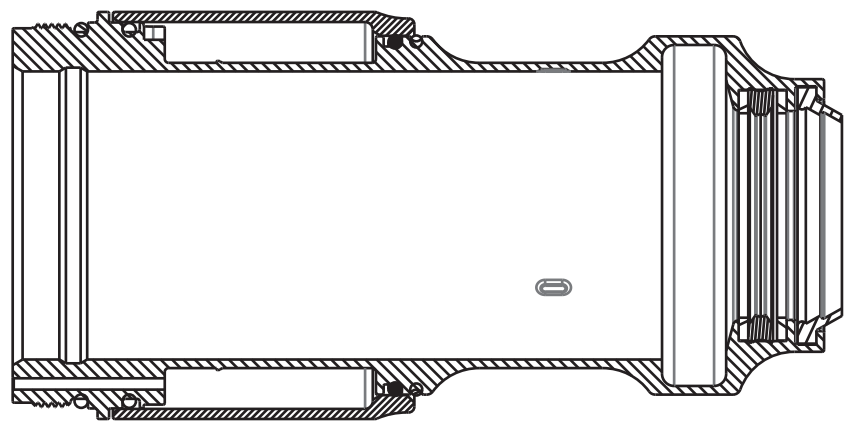
C

B

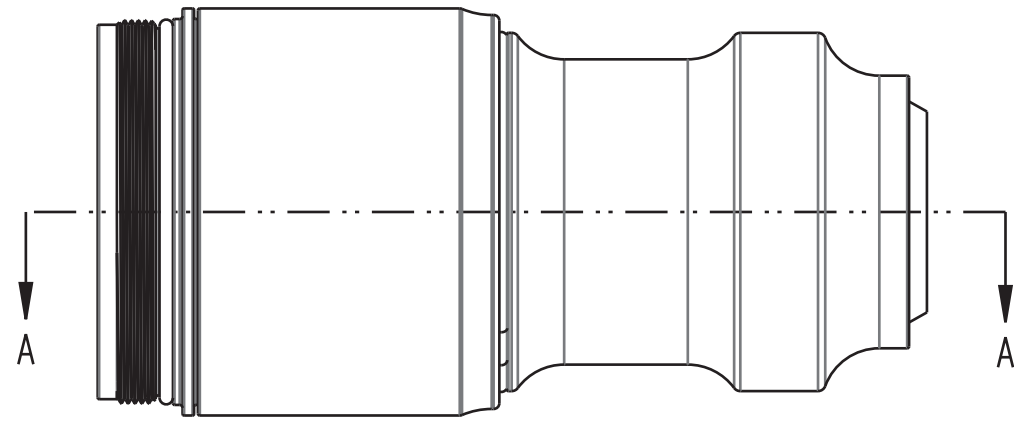
B

A

A



SECTION A-A



Retaining Ring: Wire [.062 CS x 1.75 ID]

Wiper, Samurai [Ø 1.060 Shaft]

Bearing: Back Up Ring [Ø 1.060 Shaft]

Seal: Chevron, FLOAT Body [Ø 1.060 Shaft]

Bearing: Back Up Ring [Ø 1.060 Shaft]

O-Ring (-031) [.070 C.S. X 1.739 ID]

Seals: O-Ring [(-032) .070 C.S. X 1.864 ID] Standard N674-70, Dynamic

Seals: O-Ring [(-032) .070 C.S. X 1.864 ID] Standard N674-70, Dynamic

GREASE:
THIN LAYER
SLICK HONEY

IMPORTANT:
PULL XV SLEEVE AGAINST RING AND ENSURE RING
IS SEATED IN GROOVE FOR FULL 360°

Outer Air Sleeve

Inner Air Sleeve

FOX FOX Factory, Inc. Ph 831-768-1100
130 Hangar Way, Watsonville, CA 95076 USA Fax 831-768-9312

TITLE Sleeve Assemblies: 2022 Nude T,
No Lever, Black Ano

SIZE DWG. NO. C
PLOT SCALE 1:1 SHEET 1 OF 1

- PROPRIETARY -
THIS DOCUMENT CONTAINS CONFIDENTIAL, PROPRIETARY INFORMATION
THAT IS FOX PROPERTY. DO NOT DISCLOSE TO OR DUPLICATE
FOR OTHERS EXCEPT AS AUTHORIZED BY FOX.

4

3

2

1

ProE ASSEM