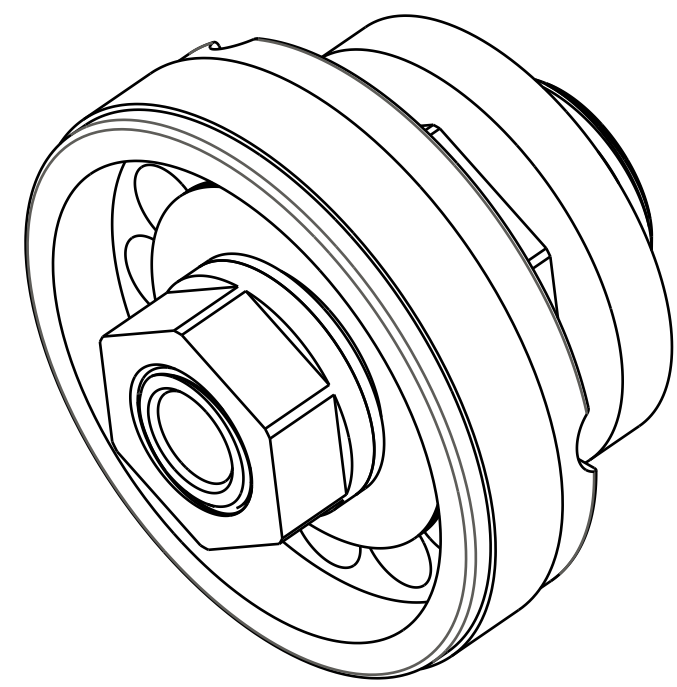


4

3

2

1



(044-10-040)

2

233-00-185
Spacer: Topout [.380 ID X .700 OD X .100 THK] Steel

210-10-100
Damping Adjust Part: Piston Post, Float X [.241 SHLG X .175 IDX .774 TLG]

050-01-011
Plate: Back-Up [0.400 OD X 0.252 ID X 0.020 TH, Ø 0.375 Shaft] Steel

044-10-040
Valve: [.400 OD X .252 ID X .010 TH]

044-20-035
Valve: [.350 OD X .252 ID X .020 TH]

044-04-050
Valve: [.500 OD X .252 ID X .0045 TH]

044-04-060
Valve: [.600 OD X .252 ID X .0045 TH]

044-04-070
Valve: [.700 OD X .252 ID X .0045 TH]

044-10-080
Valve: [.800 OD X .252 ID X .010 TH]

805-02-301
Piston Assembly: Main, 2014 Float X, [Ø 0.940 Bore] w/ Glyde Ring

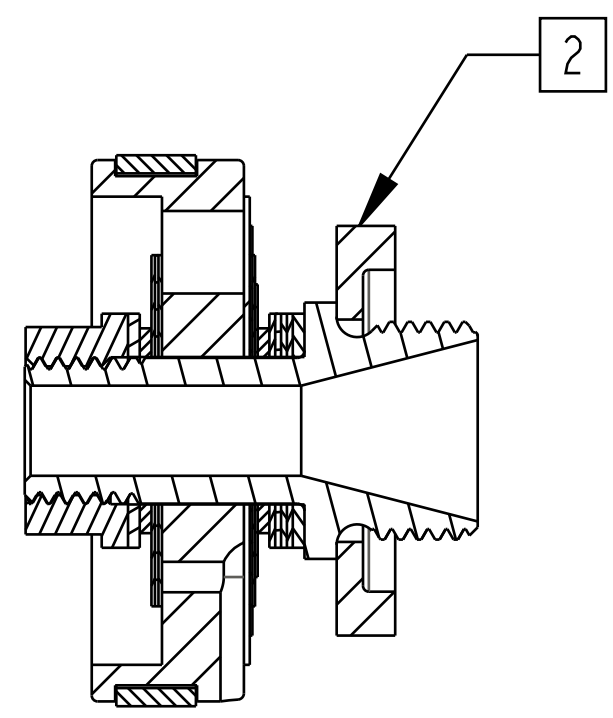
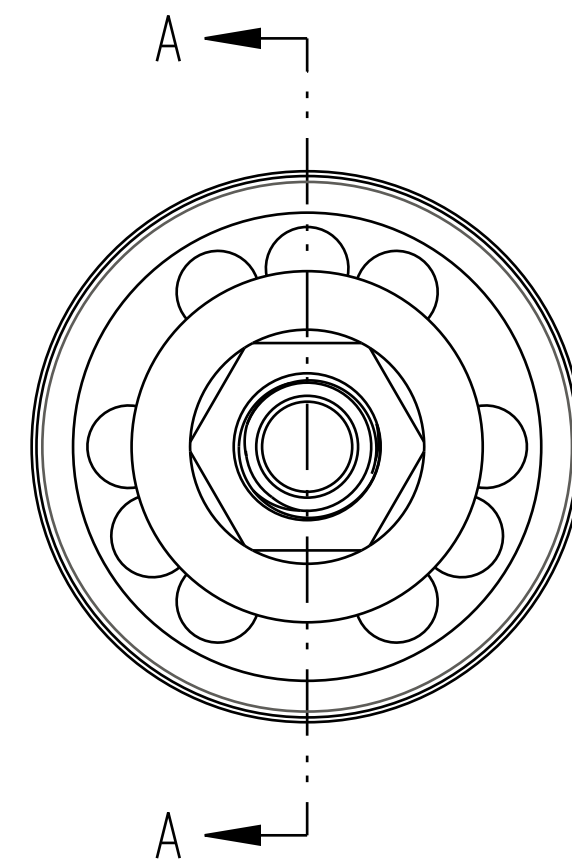
044-06-060
Valve: [.600 X .252 X .006]

241-00-032
Fastener, Custom: Nut [1/4-32 UNEF, 9mm Hex Flats, .175" TLG] AISI 416 SS

(044-06-060)

(044-20-035)

(050-01-011)



SECTION A-A

NOTES: UNLESS OTHERWISE SPECIFIED

1. AFTER INSTALLING VALVE ASSEMBLY, SHOCK SHOULD HAVE 18-23 REBOUND POSITIONS.

2 PART ORIENTATION IS CRITICAL TO FUNCTION.

- PROPRIETARY -
THIS DOCUMENT CONTAINS CONFIDENTIAL, PROPRIETARY INFORMATION
THAT IS FOX PROPERTY. DO NOT DISCLOSE TO OR DUPLICATE
FOR OTHERS EXCEPT AS AUTHORIZED BY FOX.

| | | | |
|----------|----------|--|------------------|
| | | FOX Factory, Inc. | Ph 831-768-1100 |
| | | 130 Hangar Way, Watsonville, CA 95076 USA | Fax 831-768-9312 |
| TITLE | | Valving Assy: 2014 Float X CTD, CF, RTM | |
| SIZE | DWG. NO. | 807-72-152-KIT | |
| C | | PLOT SCALE 1.5:1 | SHEET 1 OF 1 |

4

3

2

1

ProE ASSEM