

4

3

2

1

D

D

C

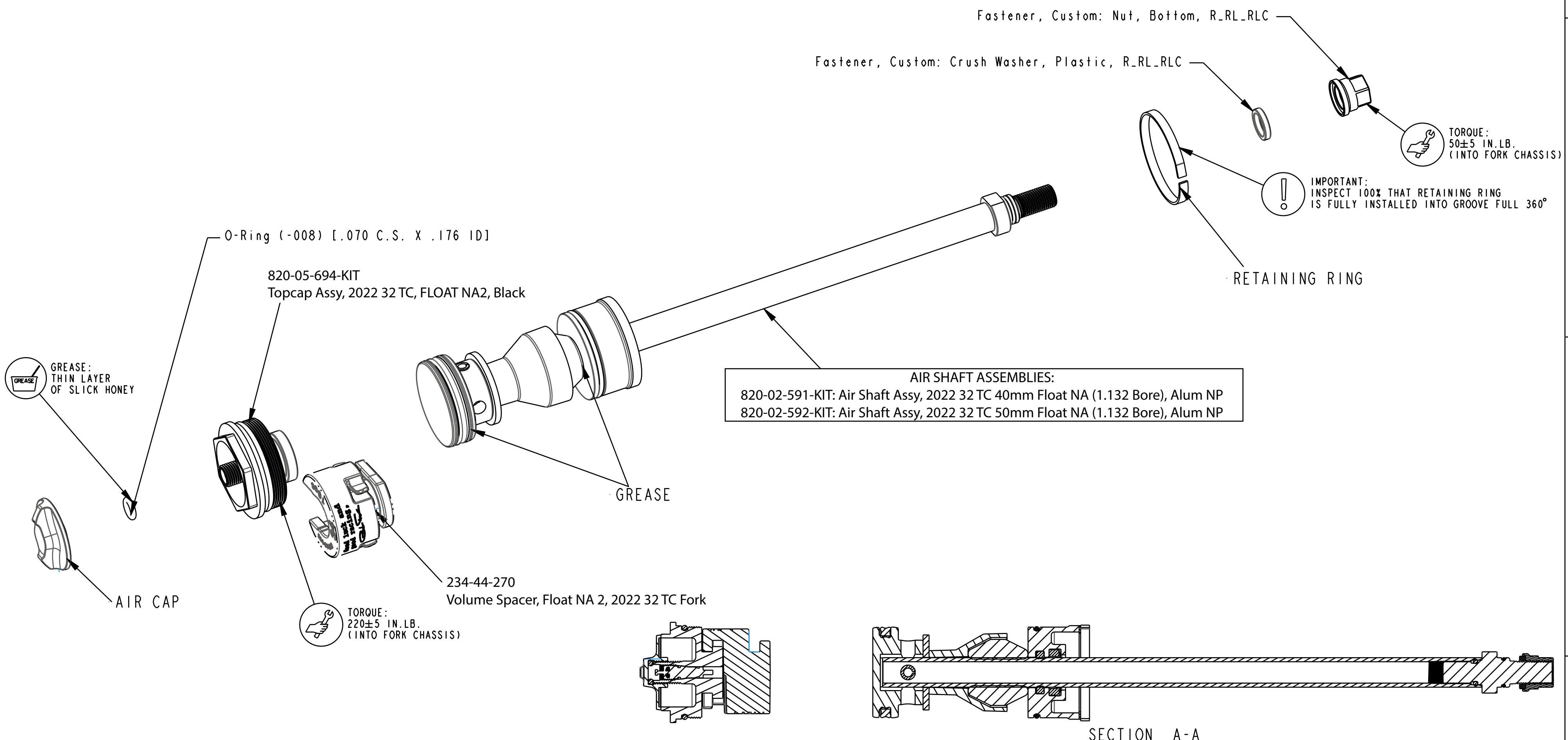
C

B

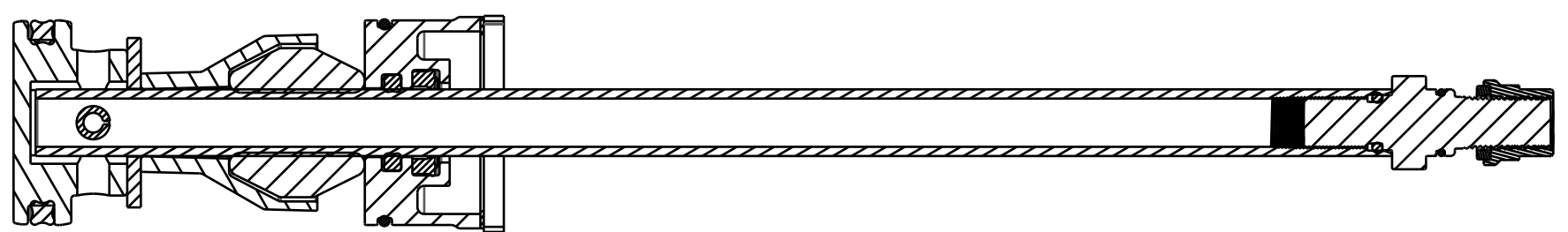
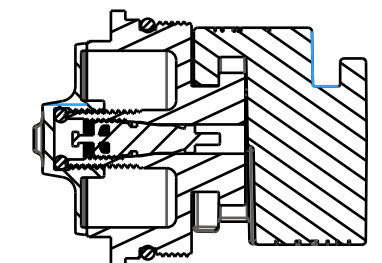
B

A

A



**AIR SHAFT ASSEMBLIES:**  
 820-02-591-KIT: Air Shaft Assy, 2022 32 TC 40mm Float NA (1.132 Bore), Alum NP  
 820-02-592-KIT: Air Shaft Assy, 2022 32 TC 50mm Float NA (1.132 Bore), Alum NP



SECTION A-A

- PROPRIETARY -  
 THIS DOCUMENT CONTAINS CONFIDENTIAL, PROPRIETARY INFORMATION  
 THAT IS FOX PROPERTY. DO NOT DISCLOSE TO OR DUPLICATE  
 FOR OTHERS EXCEPT AS AUTHORIZED BY FOX.

		<b>FOX Factory, Inc.</b>	Ph 831-768-1100
130 Hangar Way, Watsonville, CA 95076 USA		Fax 831-768-9312	
<b>TITLE</b>			
2022 32 TC			
FLOAT NA2 Air Spring Assemblies			
<b>SIZE   DWG. NO.</b>			
C			
PLOT SCALE   .00:1		SHEET   OF	

4

3

2

1