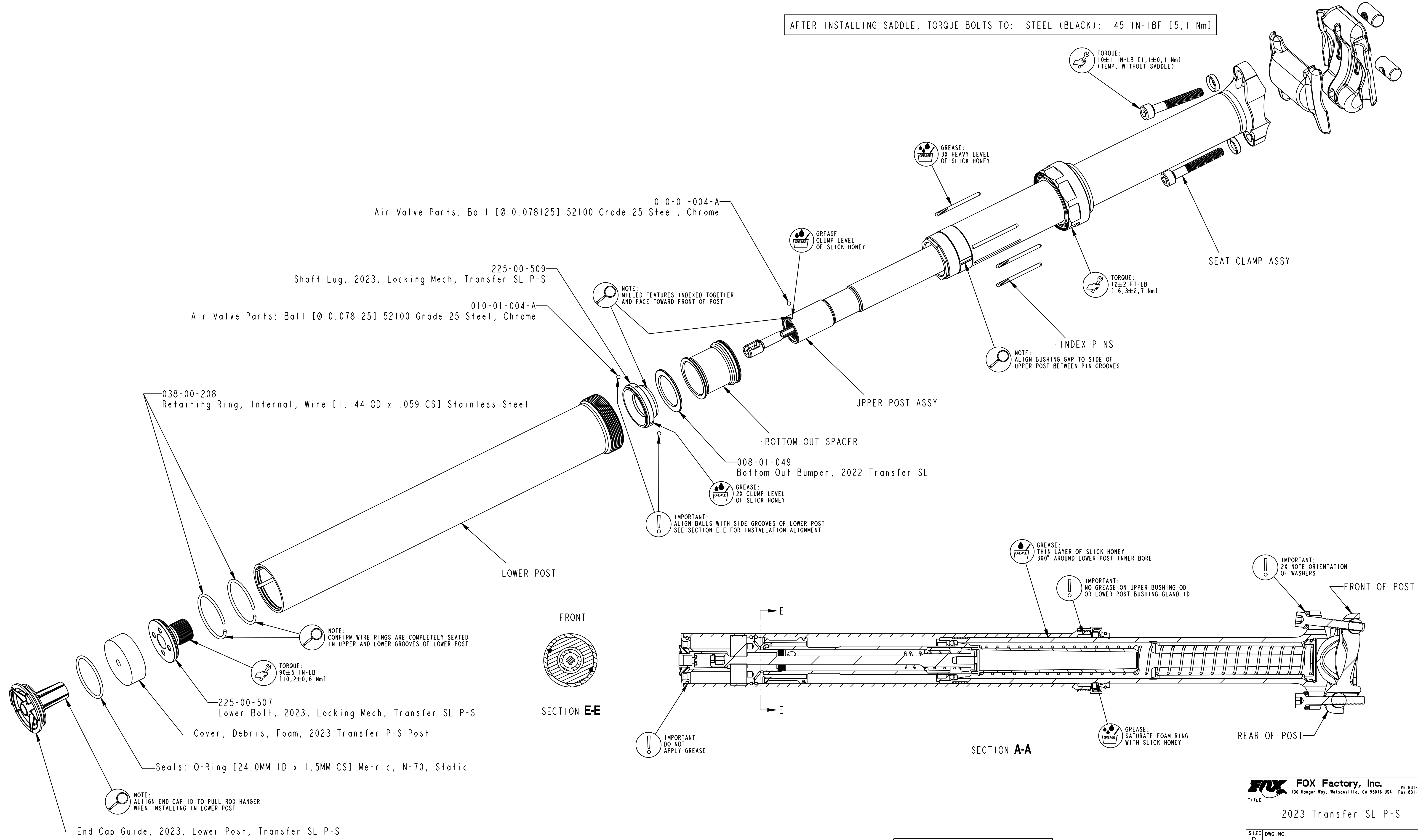


AFTER INSTALLING SADDLE, TORQUE BOLTS TO: STEEL (BLACK): 45 IN-IBF [5,1 Nm]



Air Valve Parts: Ball [Ø 0.078125] 52100 Grade 25 Steel, Chrome

010-01-004-A

225-00-509
Shaft Lug, 2023, Locking Mech, Transfer SL P-S

010-01-004-A
Air Valve Parts: Ball [Ø 0.078125] 52100 Grade 25 Steel, Chrome

038-00-208
Retaining Ring, Internal, Wire [1.144 OD x .059 CS] Stainless Steel

NOTE:
MILLED FEATURES INDEXED TOGETHER
AND FACE TOWARD FRONT OF POST

GREASE:
CLUMP LEVEL
OF SLICK HONEY

GREASE:
3X HEAVY LEVEL
OF SLICK HONEY

TORQUE:
10±1 IN-LB [1,1±0,1 Nm]
(TEMP. WITHOUT SADDLE)

TORQUE:
12±2 FT-LB
[16,3±2,7 Nm]

NOTE:
ALIGN BUSHING GAP TO SIDE OF
UPPER POST BETWEEN PIN GROOVES

BOTTOM OUT SPACER

008-01-049
Bottom Out Bumper, 2022 Transfer SL

GREASE:
2X CLUMP LEVEL
OF SLICK HONEY

IMPORTANT:
ALIGN BALLS WITH SIDE GROOVES OF LOWER POST
SEE SECTION E-E FOR INSTALLATION ALIGNMENT

LOWER POST

GREASE:
THIN LAYER OF SLICK HONEY
360° AROUND LOWER POST INNER BORE

IMPORTANT:
NO GREASE ON UPPER BUSHING OD
OR LOWER POST BUSHING GLAND ID

IMPORTANT:
2X NOTE ORIENTATION
OF WASHERS

NOTE:
CONFIRM WIRE RINGS ARE COMPLETELY SEATED
IN UPPER AND LOWER GROOVES OF LOWER POST

TORQUE:
90±5 IN-LB
[10,2±0,6 Nm]

225-00-507
Lower Bolt, 2023, Locking Mech, Transfer SL P-S

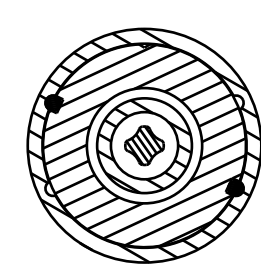
Cover, Debris, Foam, 2023 Transfer P-S Post

Seals: O-Ring [24.0MM ID x 1.5MM CS] Metric, N-70, Static

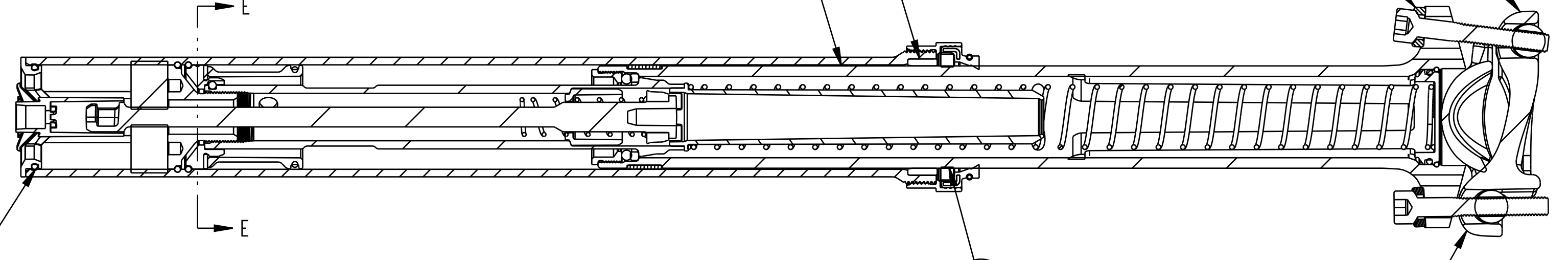
NOTE:
ALIGN END CAP ID TO PULL ROD HANGER
WHEN INSTALLING IN LOWER POST

End Cap Guide, 2023, Lower Post, Transfer SL P-S

FRONT



SECTION E-E



SECTION A-A

IMPORTANT:
DO NOT
APPLY GREASE

GREASE:
SATURATE FOAM RING
WITH SLICK HONEY

REAR OF POST

FRONT OF POST

FOX FOX Factory, Inc. Ph 831-768-1100
130 Hangar Way, Watsonville, CA 95076 USA Fax 831-768-9312

2023 Transfer SL P-S

SIZE DWG. NO. D
PLOT SCALE 1:1 SHEET 1 OF 1

PROPRIETARY - PROPRIETARY INFORMATION
THIS DOCUMENT CONTAINS CONFIDENTIAL, PROPRIETARY INFORMATION
THAT IS FOR PROPERTY. DO NOT DISCLOSE TO OR DUPLICATE
FOR OTHERS EXCEPT AS AUTHORIZED BY FOX.