

4

3

2

1

D

D

C

C

B

B

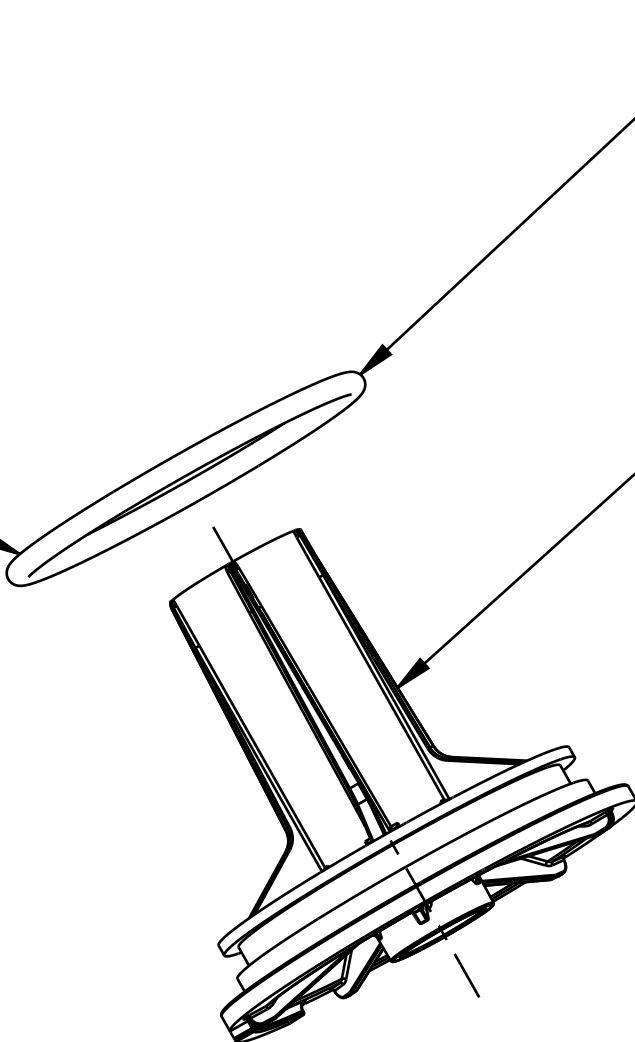
A

A

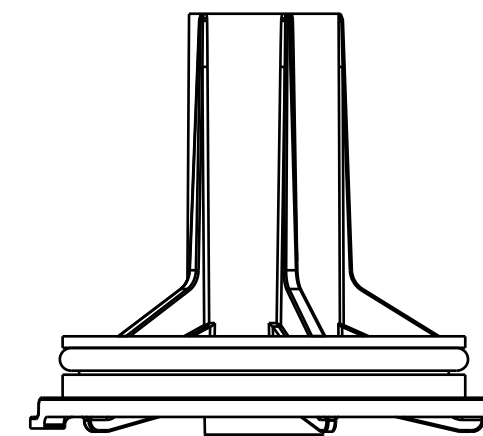
Seals: O-Ring [24.0MM ID x 1.5MM CS] Metric, N-70, Static

GREASE:
THIN LAYER
SLICK HONEY

End Cap Guide, 2023, Lower Post, Transfer SL P-S



SCALE 2:1



SCALE 2:1

- PROPRIETARY -
THIS DOCUMENT CONTAINS CONFIDENTIAL, PROPRIETARY INFORMATION
THAT IS FOX PROPERTY. DO NOT DISCLOSE TO OR DUPLICATE
FOR OTHERS EXCEPT AS AUTHORIZED BY FOX.

		FOX Factory, Inc.	Ph 831-768-1100
		130 Hangar Way, Watsonville, CA 95076 USA	Fax 831-768-9312
TITLE End Cap Assy, 2023 Transfer SL P-S			
SIZE	DWG. NO.	825-00-115-KIT	
PLOT SCALE	2:1	SHEET 1 OF 1	

4

3

2

1