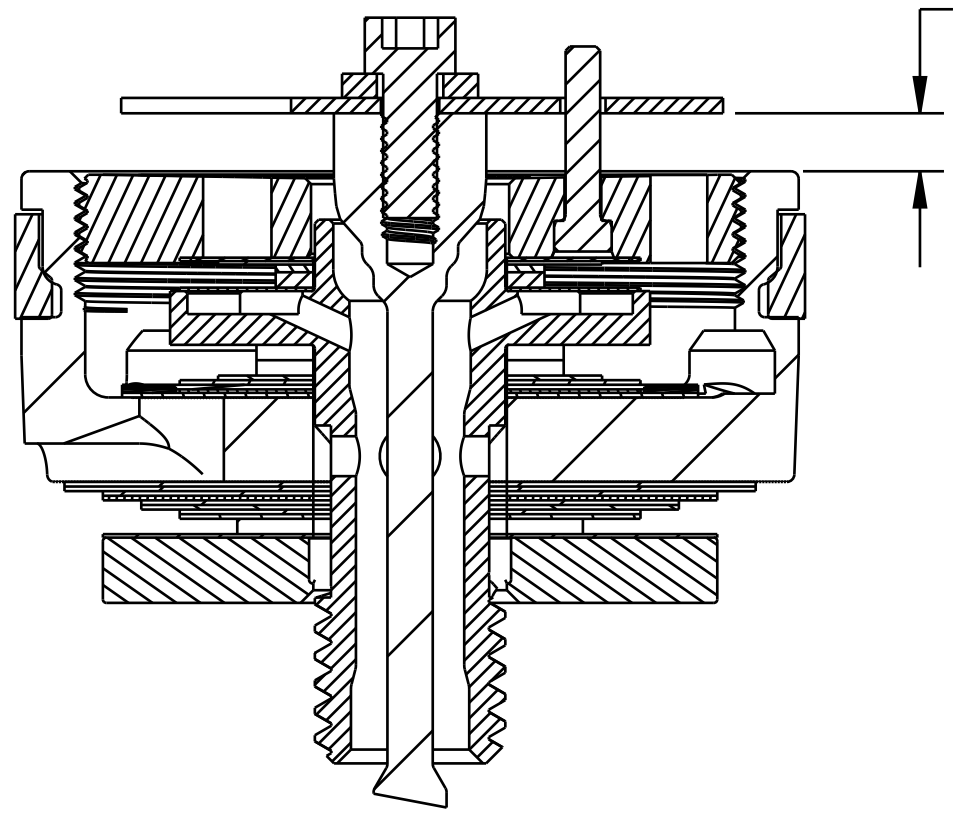


4

3

2

1



Fastener, Standard: Screw [#1-64 X 0.188 TLG] Socket Head Cap

Fastener, Standard: Washer [ .087 ID X .177 OD X .0315 TH ] Steel, Zinc

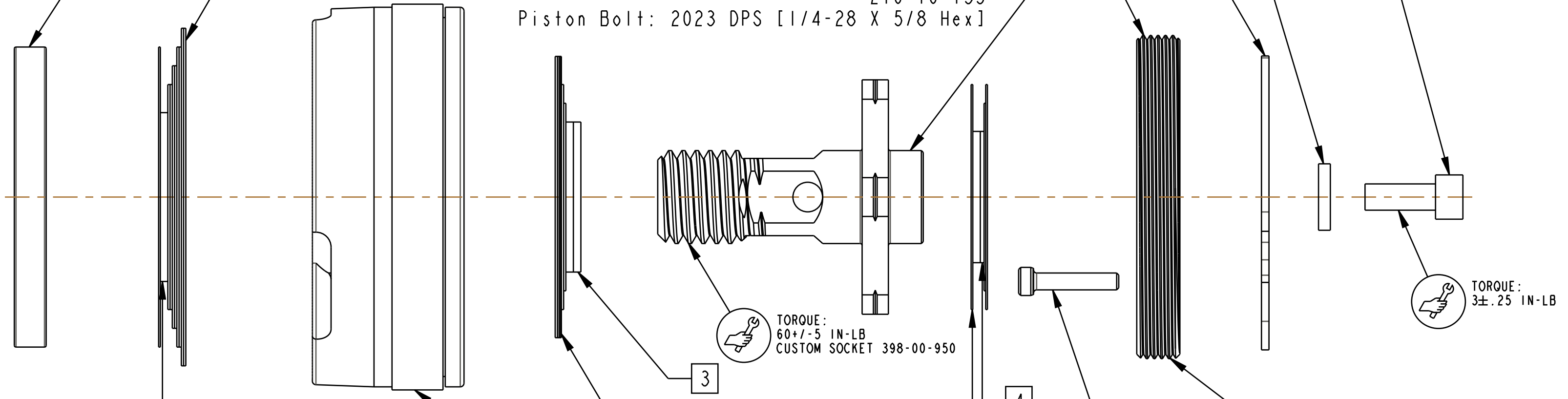
Tri-lobe Lockout Plate: [.815 OD, .020 TH], 20L/20C Steel

Piston: Lockout, 2023 DPS [.115 TLG, M22 X 0.5] 416 SS

COMPRESSION CHECK PLATE

COMPRESSION VALVE CODE

Piston Bolt: 2023 DPS [1/4-28 X 5/8 Hex]



NOTES: (UNLESS OTHERWISE SPECIFIED)

- 1. SHOCK SHOULD HAVE 12-15 REBOUND CLICKS
- 2 SPACERS MAY BE ADDED OR REMOVED TO ADJUST NUMBER OF REBOUND CLICKS.
- 3 SPACERS MAY BE ADDED OR REMOVED TO ADJUST NUMBER OF REBOUND CLICKS.
- 4 SPACERS MAY BE ADDED OR REMOVED TO ADJUST LOCKOUT PLATE LIFT.
- 5. REFER TO INDIVIDUAL COMPRESSION, REBOUND, OR LOCKOUT VALVE CODE ASSEMBLY DRAWING FOR SPACER DETAILS AND TOTAL STACK HEIGHT MEASUREMENT.

REBOUND VALVE CODE

805-02-232-KIT  
Piston Assy: Damping, 2024 Float  
[Ø 1.026 Bore, X 0.252 ID X 0.405 TLG]

LOCKOUT VALVE CODE

		<b>FOX Factory, Inc.</b>		Ph 831-768-1100
130 Hangar Way, Watsonville, CA 95076 USA		Fox 831-768-9312		
TITLE Assy DWG: 2024 Float LV, Valving [1.026 Bore]				
SIZE DWG. NO. <b>C</b> 807-06-410-KIT				
PLOT SCALE 4:1		SHEET 1 OF 1		

PROPRIETARY - THIS DOCUMENT CONTAINS CONFIDENTIAL, PROPRIETARY INFORMATION THAT IS FOX PROPERTY. DO NOT DISCLOSE TO OR DUPLICATE FOR OTHERS EXCEPT AS AUTHORIZED BY FOX.

4

3

2

1

ProE ASSEM