

4

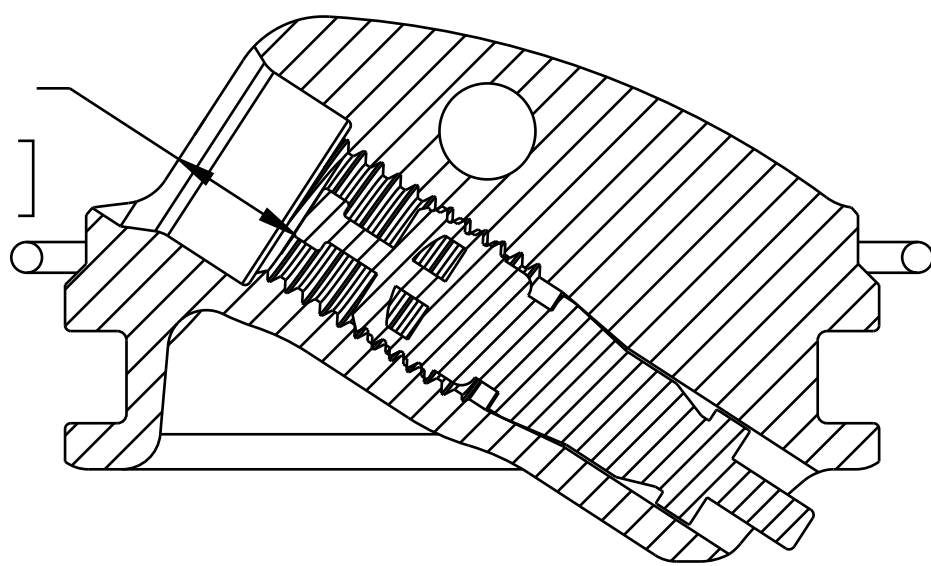
3

2

1

DEPTH OF VALVE CORE AFTER TORQUE

$.179^{+.030}_{-.000}$
 $[4.55^{+0.76}_0]$



SECTION A-A
SCALE 4:1

Cap: Air Fill, 2022 Rear Shock

TORQUE:
3±1 IN.LB.

GREASE:
THIN LAYER
OF SLICK HONEY

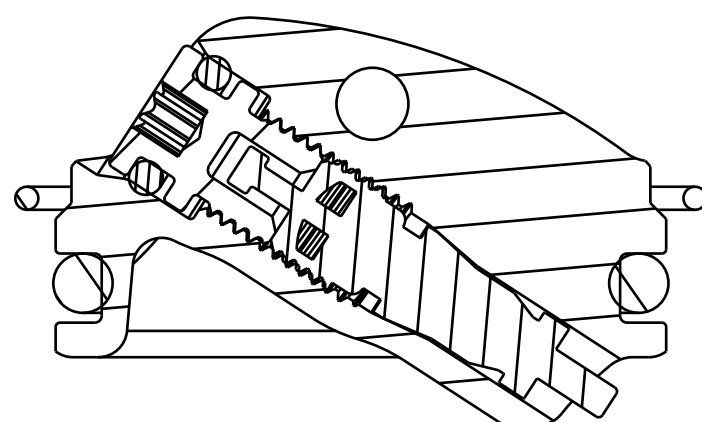
O-Ring (-118) [1.103 C.S. X .862 ID]

Seals: O-Ring [4.0mm ID x 1.5mm CS] Metric, N-70, Static

Air Valve Parts: Core, Eaton, Low pressure

Reservoir End Cap: 2022 FLOAT X & DHX, G2

Retaining Ring: Wire [1.200 OD X .040 CS]



SECTION A-A

FOX FOX Factory, Inc. Ph 831-768-1100
130 Hangar Way, Watsonville, CA 95076 USA Fax 831-768-9312

TITLE
Reservoir End Cap Assy:
2022 FLOAT X & DHX, G2

SIZE DWG. NO. **C** 813-00-290-KIT

PLOT SCALE 3:1 SHEET 1 OF 1

- PROPRIETARY -
THIS DOCUMENT CONTAINS CONFIDENTIAL, PROPRIETARY INFORMATION
THAT IS FOX PROPERTY. DO NOT DISCLOSE TO OR DUPLICATE
FOR OTHERS EXCEPT AS AUTHORIZED BY FOX.

4

3

2

1

ProE ASSEM