

4

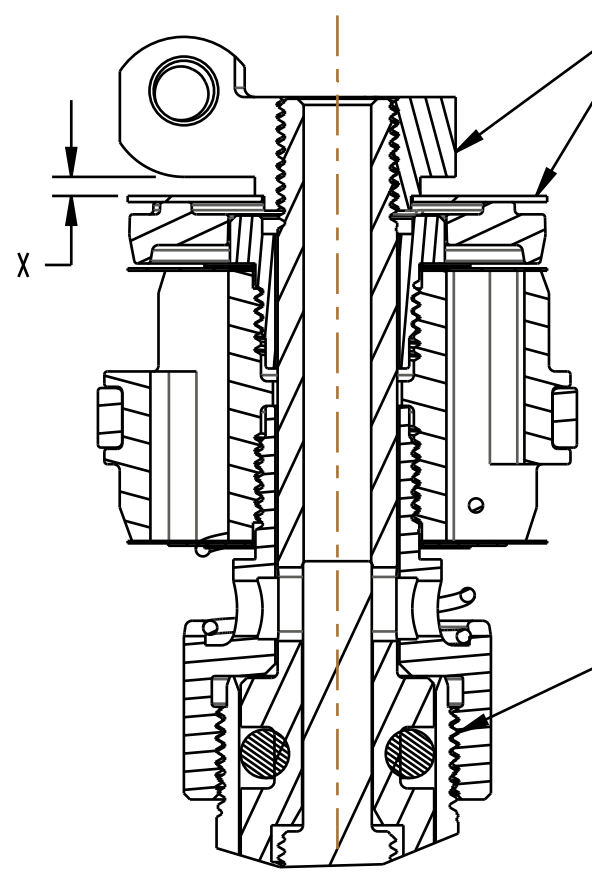
3

2

1

**\*ASSEMBLY INSTRUCTIONS:**

- 1) ORIENT LEAF SPRING TO THE APPROX. CENTER OF ITS ADJUSTMENT RANGE
- 2) ENGAGE FLATS OF LEAF SPRING TO RBD NUT
- 3) PLACE .030 [0,76] THICK SHIM AT "X"
- 4) HOLD RBD NUT TO PISTON ASSY AND TORQUE HSR SHAFT TO  $2 \pm .5$  in-lb
- 5) ROTATE HSR SHAFT CCW 4 CLICKS (72°)
- 6) TORQUE M2 SHCS (019-01-141) TO SPECIFIED TORQUE



SECTION D-D

TORQUE:  
 $40 \pm 5$  in-lb\*

Seals: O-Ring [3.0MM ID x 1.0MM CS] Metric, N-70, Static

Valve: Metric  
[8.00mm OD X 6mm ID X 0.10mm THK]

2-Piece HSR Shaft

Fastener, Custom: Screw [#8-32] SHCS

Seals: O-Ring [13.0MM ID x 1.0MM CS] Metric, N-70, Static

Fastener Standard (Metric): Screw [M2.5 X 6mm] Tapered Head Cap, Steel, Black

LOCTITE:  
RED 263  
1-2 DROPS

Spring: Detent [.138 TLG, 087 OD 48 lb/in]

Fastener, Custom: Nut, HSR, Grip F-S

Spring, Leaf, HSR, Grip F-S, .010 THK

Air Valve Parts: Ball [2.0mm OD], Grade 25 Steel, Chrome Plated

Base Stud, Grip F-S

Plate, HSR, Grip F-S

**REBOUND PISTON ASSEMBLIES:**  
 820-03-717-KIT: 2024 Grip2 HSR / LSR Rebound Piston Assy  
 820-03-721-KIT: 2024 Grip2 HSR / LSR Rebound Light Piston Assy

Seals: O-Ring [9.0MM ID x 1.0MM CS] Metric, N-70, Static

TORQUE:  
 $40 \pm 5$  in-lb\*

Coupler, LSR, Grip F-S

Air Valve Parts: Ball [2.0mm OD], Grade 25 Steel, Chrome Plated

Spring: Detent [.138 TLG, 087 OD 48 lb/in]

Damper Shaft

Needle, LSR

IMPORTANT:  
INSTALL ONTO SHAFT FROM THIS END ONLY \*

820-03-525-KIT  
 2019 Grip2 Bearing Housing Assy

Seals: O-Ring [3.0MM ID x 1.5MM CS] Metric, N-70, Static

Adjuster, HSR, Grip F-S

TORQUE:  
 $8 \pm .5$  in-lb  
Seals: O-Ring [4.0mm ID x 2.0mm CS] Metric, N-90 Static

|  |  |                          |                 |
|--|--|--------------------------|-----------------|
|  |  | <b>FOX Factory, Inc.</b> | Ph 831-768-1100 |
| 130 Hangar Way, Watsonville, CA 95076 USA          |  | Fax 831-768-9312         |                 |
| <b>TITLE</b>                                       |  |                          |                 |
| 2024 34 150 VVC HSR/LSR<br>DAMPER SHAFT ASSEMBLIES |  |                          |                 |
| <b>SIZE</b> DWG. NO.                               |  |                          |                 |
| C  |  |                          |                 |
| PLOT SCALE   |  | 1:1                      |                 |
|  |  | SHEET 1 OF 2             |                 |

PROPRIETARY - THIS DOCUMENT CONTAINS CONFIDENTIAL, PROPRIETARY INFORMATION THAT IS FOX PROPERTY. DO NOT DISCLOSE TO OR DUPLICATE FOR OTHERS EXCEPT AS AUTHORIZED BY FOX.

4

3

2

ProE ASSEM