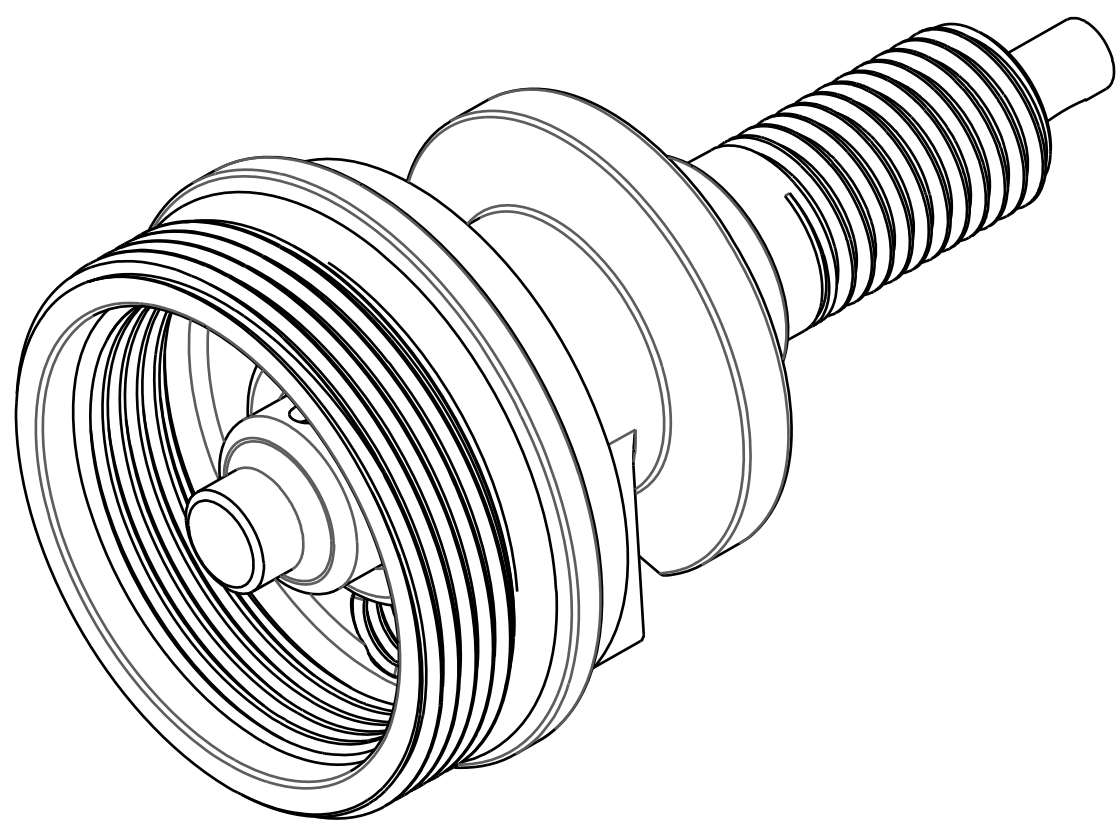


4

3

2

1



BASE STUD, 2011 32 TERRALOGIC

GREASE:
THIN LAYER

029-08-022
8.0MM ID x 1.0MM CS

GREASE:
THIN LAYER

GREASE:
THIN LAYER

GREASE:
THIN LAYER

GREASE:
THIN LAYER

010-01-000
Ball [Ø 0.1250] Steel

039-00-029
Spring: [0.125 TLG X 0.125 OD X 50.00 lbs/in]

029-08-102
21.0MM ID x 1.5MM CS

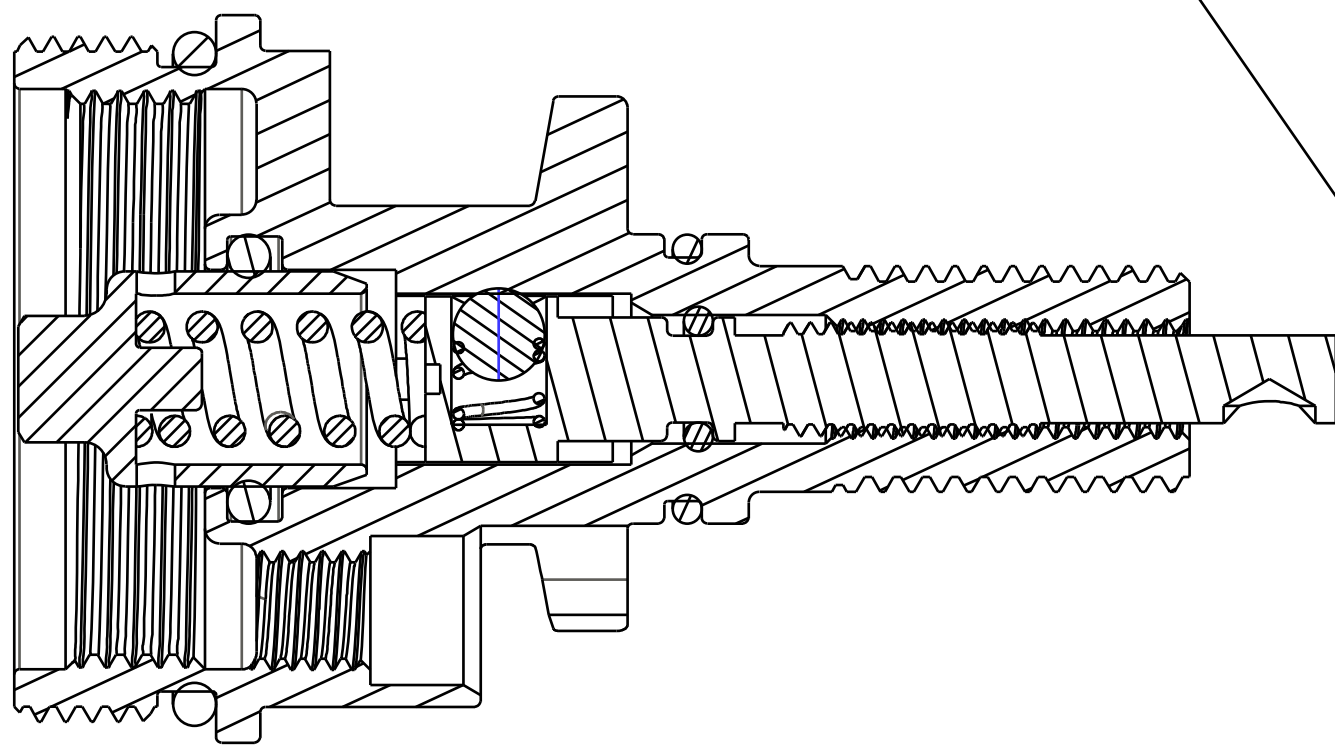
029-08-069
7.0MM ID x 1.5MM CS

029-08-004
3.0MM ID x 1.0MM CS

210-22-401
ADJUSTER SCREW, COMP BLOW-OFF, 2011 32 TERRALOGIC

039-00-164
Spring: Blow-Off Adj, 2011 32 TerraLogic

210-22-400
BLOW-OFF PISTON, 2011 32 TERRALOGIC



PROPRIETARY -
THIS DOCUMENT CONTAINS CONFIDENTIAL, PROPRIETARY INFORMATION
THAT IS FOX PROPERTY. DO NOT DISCLOSE TO OR DUPLICATE
FOR OTHERS EXCEPT AS AUTHORIZED BY FOX.

| | | | |
|---|-----------------------|---|------------------|
| | | FOX Factory, Inc. | Ph 831-768-1100 |
| | | 130 Hongar Way, Watsonville, CA 95076 USA | Fax 831-768-9312 |
| TITLE | | | |
| BASE VALVE ASSY, 2011 32 80-150 TERRALOGIC | | | |
| SIZE | DWG. NO. | | |
| C | 820-05-185-KIT | | |
| PLOT SCALE 2.00:1 | | SHEET 1 OF 1 | |

4

3

2

1