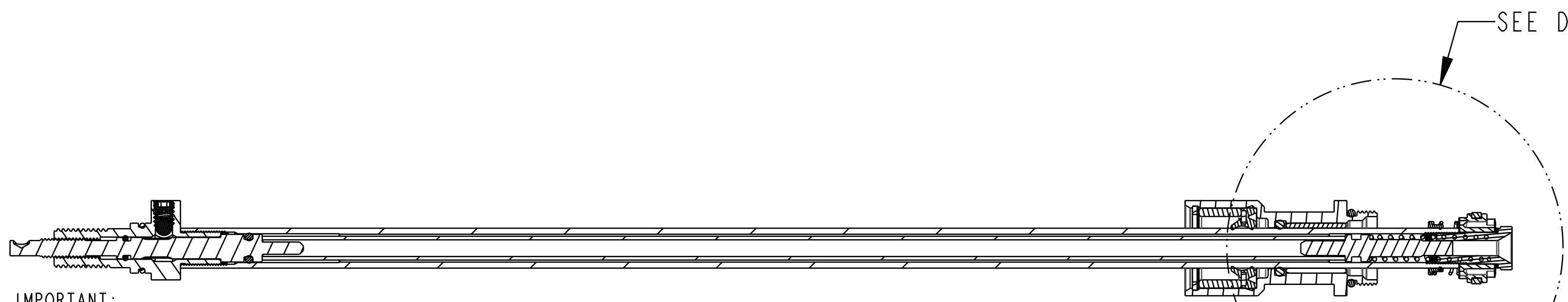


4

3

2

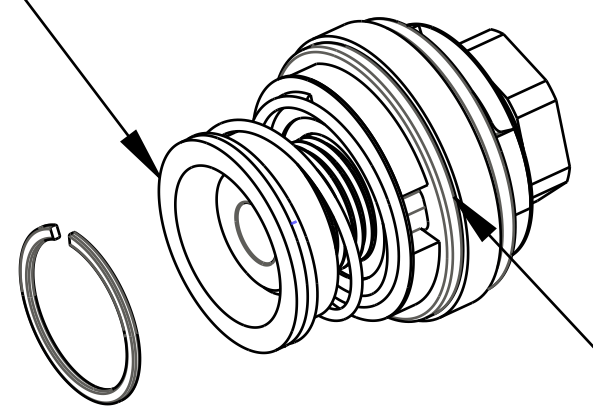
1



SEE DETAIL B

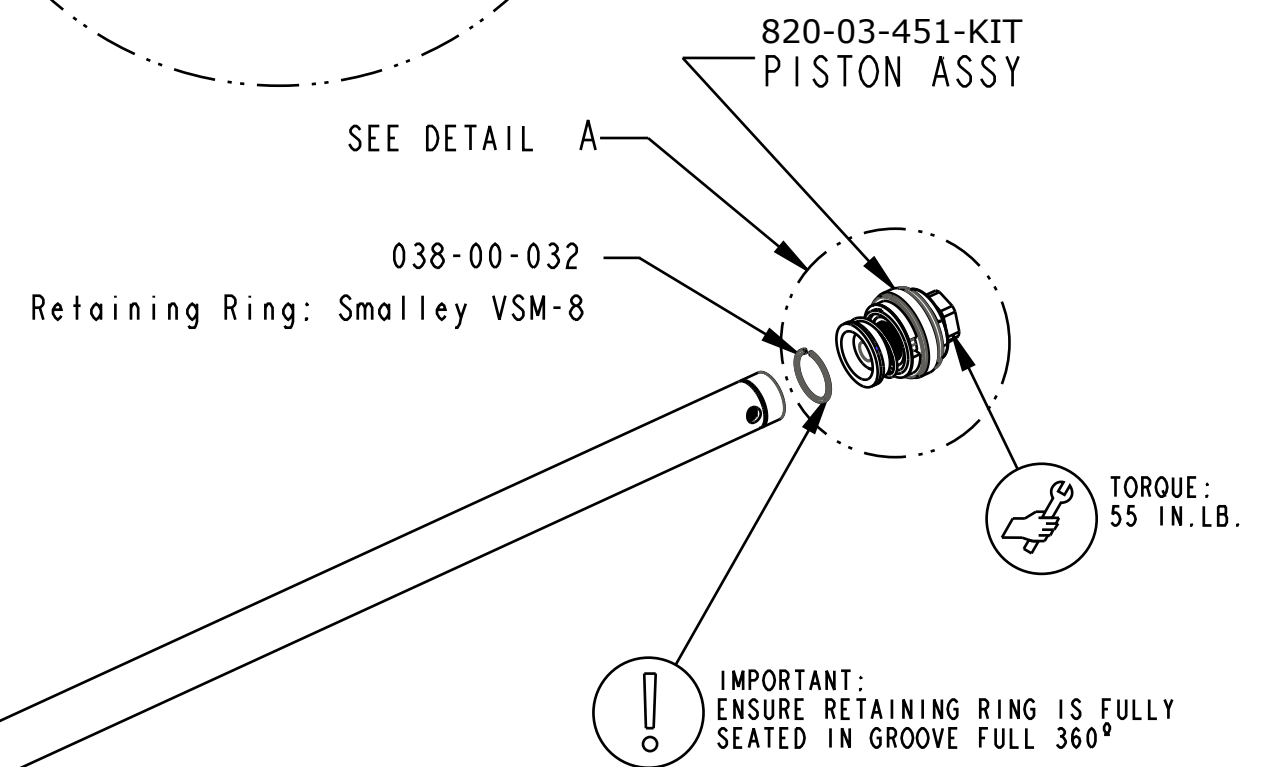
SECTION A-A

! IMPORTANT:  
LARGER OD OF THE SPRING PERCH  
GOES AGAINST THE RETAINING RING



DETAIL A

! IMPORTANT:  
ENSURE VALVES ARE NOT  
PINCHED DURING ASSEMBLY



820-03-451-KIT  
PISTON ASSY

SEE DETAIL A

038-00-032

Retaining Ring: Smalley VSM-8

TORQUE:  
55 IN.LB.

! IMPORTANT:  
ENSURE RETAINING RING IS FULLY  
SEATED IN GROOVE FULL 360°

039-00-326  
Spring: Rebound Needle, Stiff, FIT CTD

210-22-441  
Needle, Rebound, Smaller ID Damper Shaft, 010 RL-RLC

DAMPER TUBE

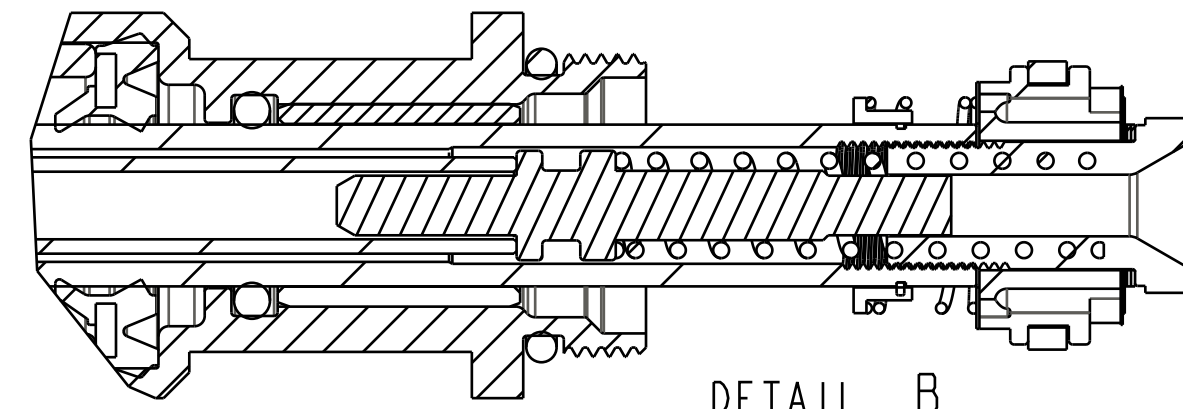
REBOUND TUBE

GREASE:  
THIN LAYER OF SLICK HONEY  
ON BULLET TOOL

TORQUE:  
55 IN.LB.

820-03-392-KIT  
Sealhead Assy, 2015 8mm FIT SKF

820-03-185-KIT  
REBOUND ADJUSTER



DETAIL B

PROPRIETARY  
THIS DOCUMENT CONTAINS CONFIDENTIAL, PROPRIETARY INFORMATION  
THAT IS FOX PROPERTY. DO NOT DISCLOSE TO OR DUPLICATE  
FOR OTHERS EXCEPT AS AUTHORIZED BY FOX.

	<b>FOX Factory, Inc.</b> 130 Hangar Way, Watsonville, CA 95076 USA Ph 831-768-1100 Fax 831-768-9312
	<b>2015 36 FIT CTD Damper Shaft Assy</b>
SIZE DWG. NO. <b>C</b>	SHEET 1 OF 1
PLOT SCALE 0.85:1	ProE ASSEM

4

3

2

1

ProE ASSEM