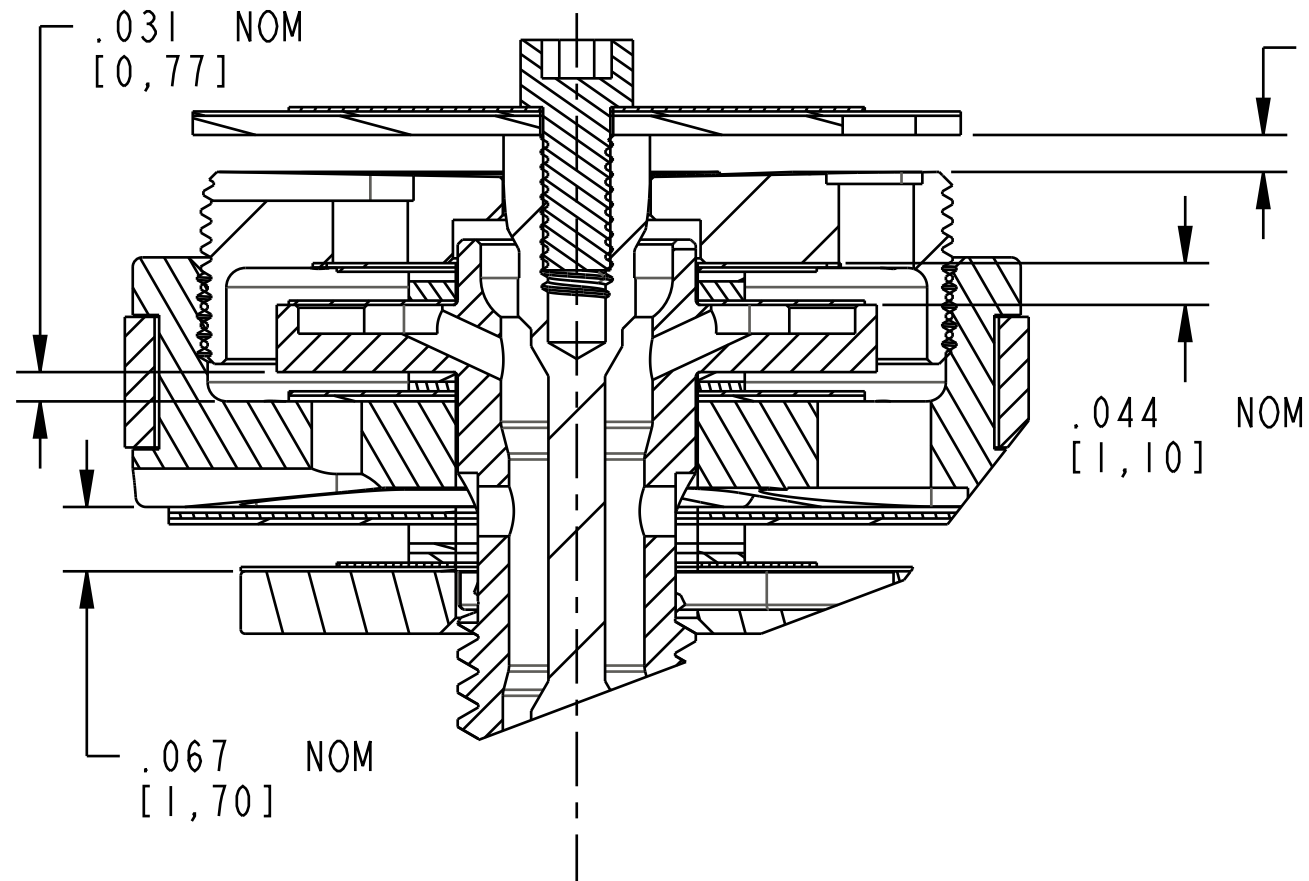


4

3

2

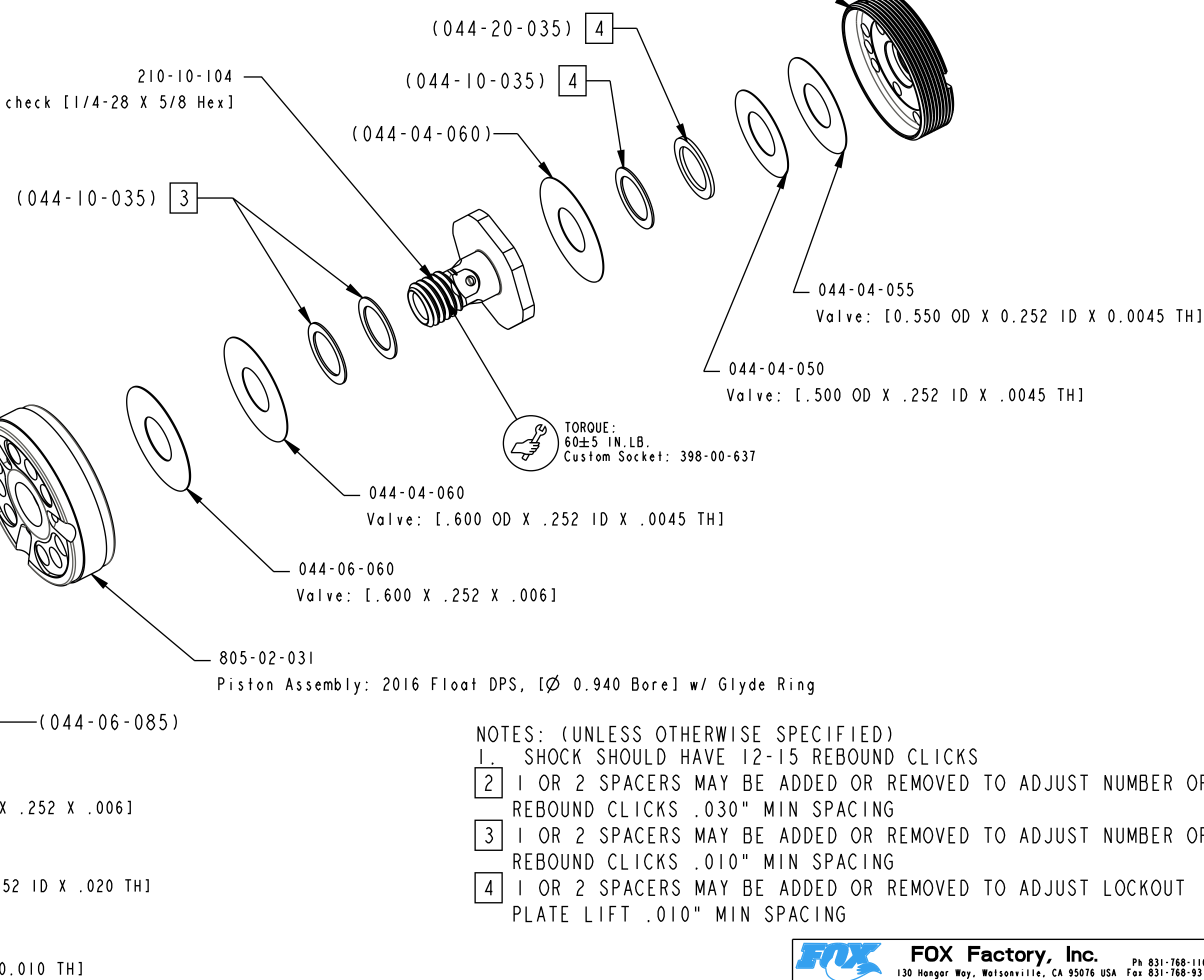
1



222-01-297  
Piston: Lockout, Float DPS [.200 TLG, M20 X 0.5] 416SS

TORQUE:  
22±2 IN.LB.  
Custom socket: 398-00-638

210-10-104  
Piston Bolt: Dish WRD w/ check [1/4-28 X 5/8 Hex]



- NOTES: (UNLESS OTHERWISE SPECIFIED)
- 1. SHOCK SHOULD HAVE 12-15 REBOUND CLICKS
  - 2. 1 OR 2 SPACERS MAY BE ADDED OR REMOVED TO ADJUST NUMBER OF REBOUND CLICKS .030" MIN SPACING
  - 3. 1 OR 2 SPACERS MAY BE ADDED OR REMOVED TO ADJUST NUMBER OF REBOUND CLICKS .010" MIN SPACING
  - 4. 1 OR 2 SPACERS MAY BE ADDED OR REMOVED TO ADJUST LOCKOUT PLATE LIFT .010" MIN SPACING

**FOX Factory, Inc.** Ph 831-768-1100  
130 Hangar Way, Watsonville, CA 95076 USA Fax 831-768-9312

TITLE  
**Valving Assy: 2016 Float DPS,  
CM, RM, CMF [.940 Bore]**

SIZE DWG. NO.  
**C 807-06-161-KIT**

PLOT SCALE 2.00:1 SHEET 1 OF 1

PROPRIETARY  
THIS DOCUMENT CONTAINS CONFIDENTIAL, PROPRIETARY INFORMATION  
THAT IS FOX PROPERTY. DO NOT DISCLOSE TO OR DUPLICATE  
FOR OTHERS EXCEPT AS AUTHORIZED BY FOX.

4

3

2

ProE ASSEM