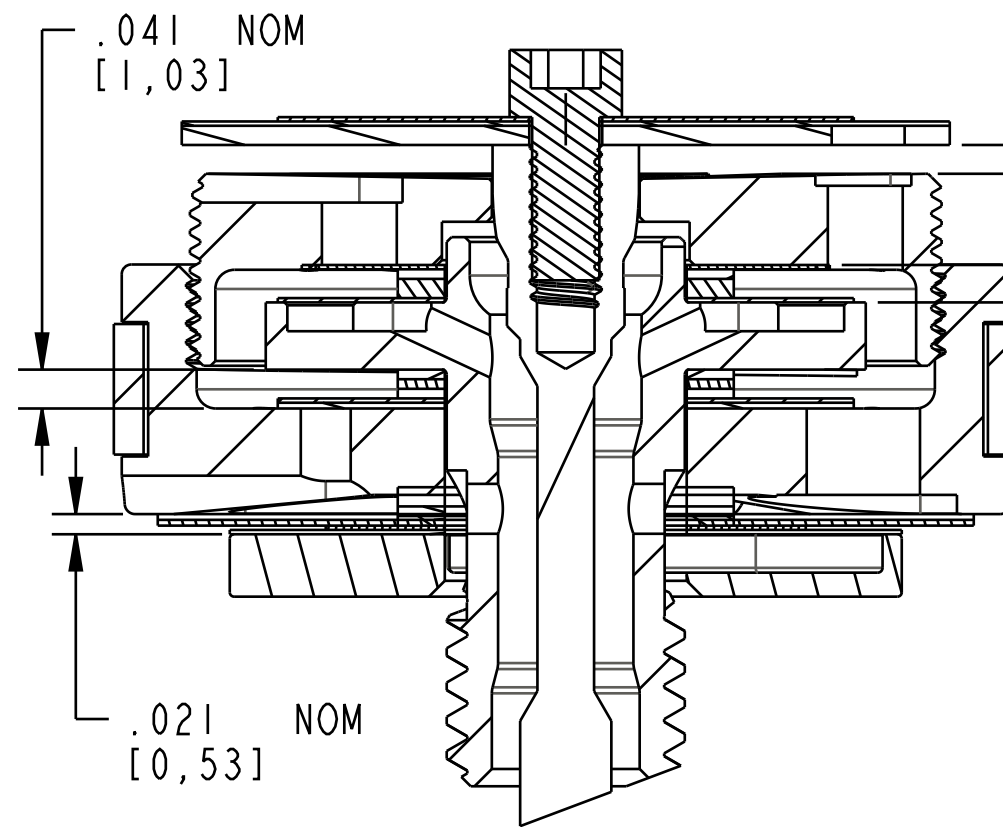


4

3

2

1



.030-.047
[0,77-1,19]
PLATE LIFT FROM CLOSED TO MIDDLE POSITION, ALL NON REMOTES + IRD

.025-.037
[0,64-0,94]
PLATE LIFT FROM CLOSED TO MIDDLE POSITION, ALL CABLE REMOTES

.039 NOM
[0,99]

Piston: Lockout, Float DPS [.200 TLG, M20 X 0.5] 416SS

Valve: [0.550 OD X 0.252 ID X 0.0045 TH]

222-01-297

044-04-055

(044-20-035) 4

(044-10-035) 4

(044-04-060)

210-10-104

Piston Bolt: Dish WRD w/ check [1/4-28 X 5/8 Hex]

(044-10-035) 3

(044-10-035)

TORQUE:
22±2 IN.LB.
Custom socket: 398-00-638

(044-06-085)

TORQUE:
60±5 IN.LB.
Custom Socket: 398-00-637

044-04-060
Valve: [.600 OD X .252 ID X .0045 TH]

044-06-060
Valve: [.600 X .252 X .006]

805-02-031
Piston Assembly: 2016 Float DPS, [Ø 0.940 Bore] w/ Glyde Ring

(044-10-035) 2

044-20-035 2
Valve: [.350 OD X .252 ID X .020 TH]

044-10-035 2
Valve: [.350 OD X .252 ID X 0.010 TH]

044-04-050
Valve: [.500 OD X .252 ID X .0045 TH]

044-04-070
Valve: [.700 OD X .252 ID X .0045 TH]

210-10-098
Damping Adjust Part: Float MY2013 Check Piston [.740 OD X .252 ID X .110 TH]

- NOTES: (UNLESS OTHERWISE SPECIFIED)
- 1. SHOCK SHOULD HAVE 12-15 REBOUND CLICKS
 - 2. 1 OR 2 SPACERS MAY BE ADDED OR REMOVED TO ADJUST NUMBER OF REBOUND CLICKS .030" MIN SPACING
 - 3. 1 OR 2 SPACERS MAY BE ADDED OR REMOVED TO ADJUST NUMBER OF REBOUND CLICKS .010" MIN SPACING
 - 4. 1 OR 2 SPACERS MAY BE ADDED OR REMOVED TO ADJUST LOCKOUT PLATE LIFT .010" MIN SPACING

PROPRIETARY - THIS DOCUMENT CONTAINS CONFIDENTIAL, PROPRIETARY INFORMATION THAT IS FOX PROPERTY. DO NOT DISCLOSE TO OR DUPLICATE FOR OTHERS EXCEPT AS AUTHORIZED BY FOX.

FOX Factory, Inc.
130 Hangar Way, Watsonville, CA 95076 USA
Ph 831-768-1100 Fax 831-768-9312

TITLE
Valving Assy: 2016 Float DPS, CL, RM, CML [0.940 Bore]

SIZE DWG. NO. **807-06-166-KIT**

PLOT SCALE 2.00:1 SHEET 1 OF 1

4

3

2

ProE ASSEM