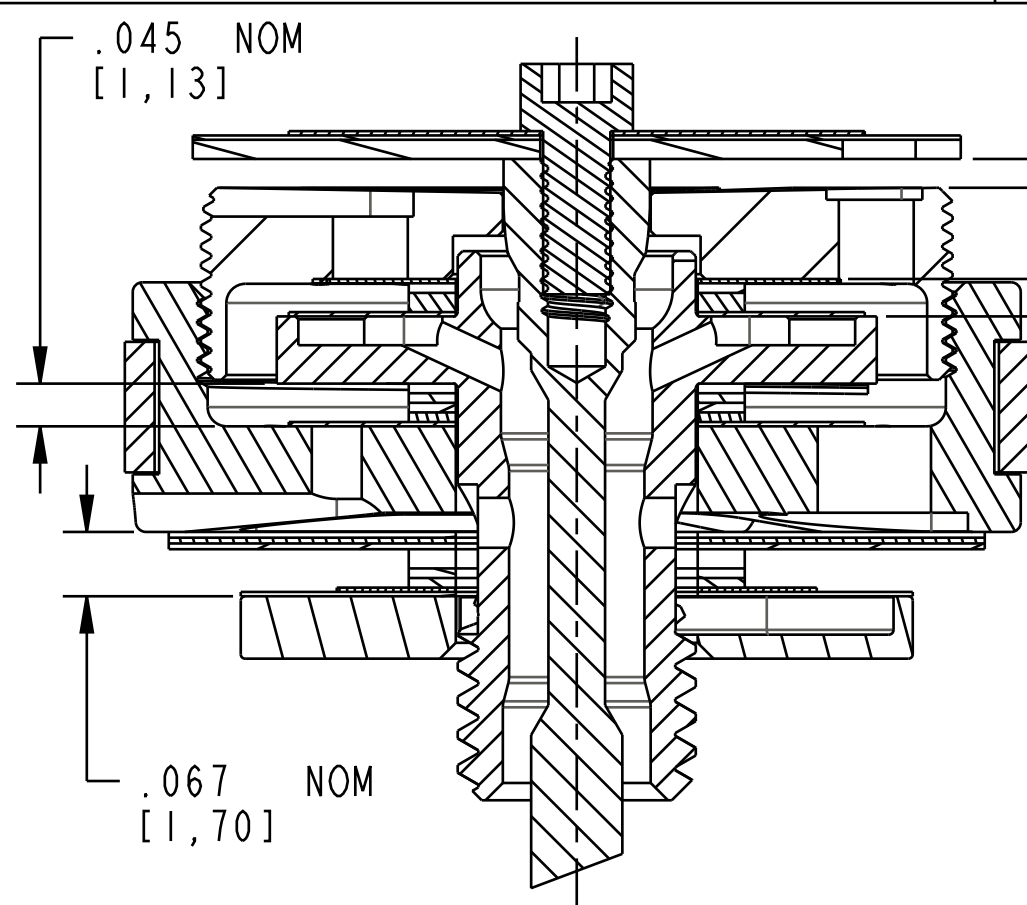


4

3

2

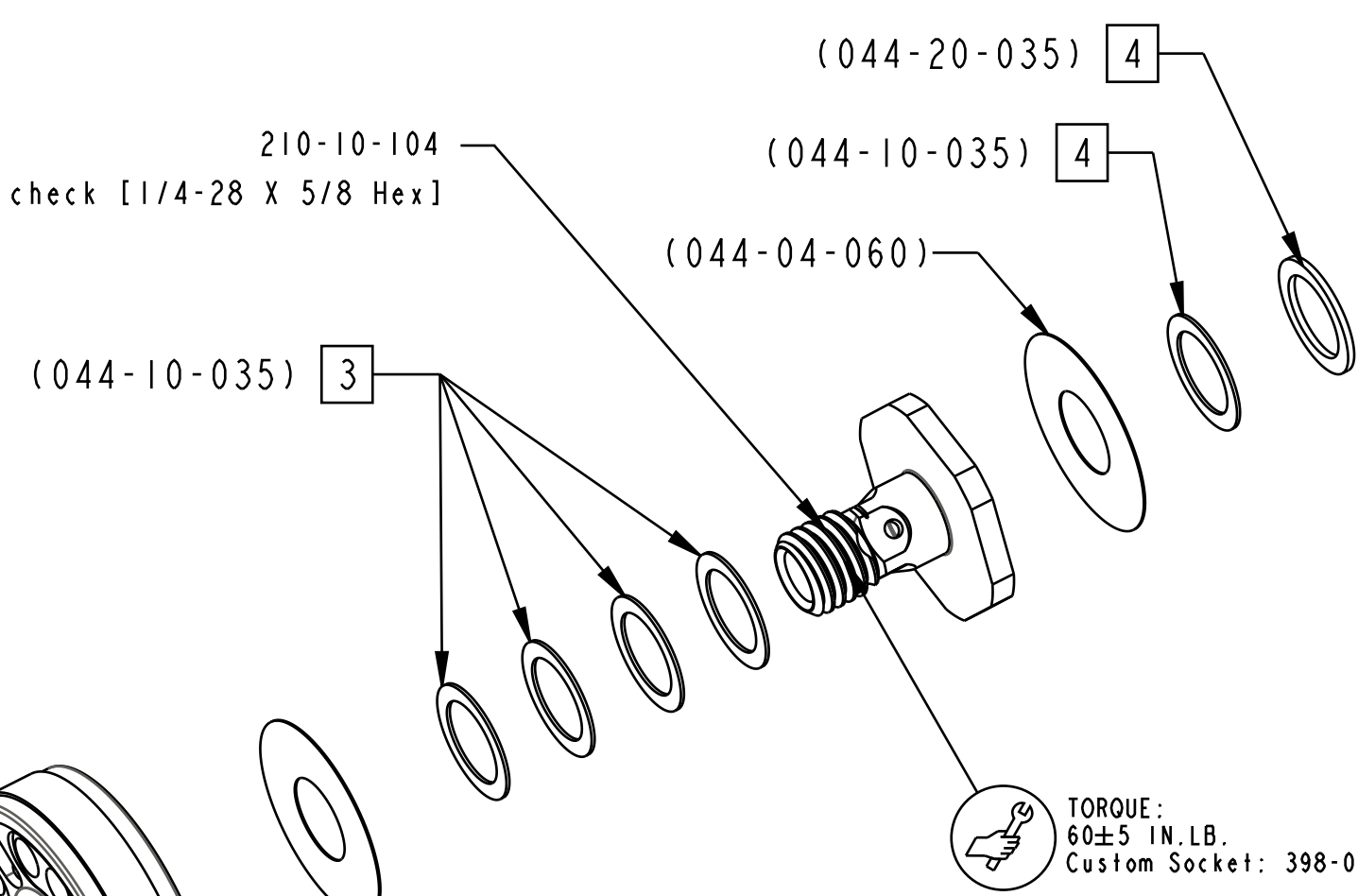
1



Piston Bolt: Dish WRD w/ check [1/4-28 X 5/8 Hex]

Piston: Lockout, Float DPS [.200 TLG, M20 X 0.5] 416SS

TORQUE: 22±2 IN.LB.  
Custom socket: 398-00-638



044-04-070  
Valve: [.700 OD X .252 ID X .0045 TH]

044-04-050  
Valve: [.500 OD X .252 ID X .0045 TH]

(044-10-035) 2

044-04-060  
Valve: [.600 OD X .252 ID X .0045 TH]

805-02-031  
Piston Assembly: 2016 Float DPS, [Ø 0.940 Bore] w/ Glyde Ring

(044-06-085)

044-06-085  
Valve: [.850 X .252 X .006]

044-20-035 2  
Valve: [.350 OD X .252 ID X .020 TH]

044-10-035 2  
Valve: [.350 OD X .252 ID X 0.010 TH]

210-10-098  
Damping Adjust Part: Float MY2013 Check Piston [.740 OD X .252 ID X .110 TH]

- NOTES: (UNLESS OTHERWISE SPECIFIED)
- 1. SHOCK SHOULD HAVE 12-15 REBOUND CLICKS
  - 2. 1 OR 2 SPACERS MAY BE ADDED OR REMOVED TO ADJUST NUMBER OF REBOUND CLICKS .030" MIN SPACING
  - 3. 1 OR 2 SPACERS MAY BE ADDED OR REMOVED TO ADJUST NUMBER OF REBOUND CLICKS .010" MIN SPACING
  - 4. 1 OR 2 SPACERS MAY BE ADDED OR REMOVED TO ADJUST LOCKOUT PLATE LIFT .010" MIN SPACING

PROPRIETARY - THIS DOCUMENT CONTAINS CONFIDENTIAL, PROPRIETARY INFORMATION THAT IS FOX PROPERTY. DO NOT DISCLOSE TO OR DUPLICATE FOR OTHERS EXCEPT AS AUTHORIZED BY FOX.

**FOX Factory, Inc.** Ph 831-768-1100  
130 Hangar Way, Watsonville, CA 95076 USA Fax 831-768-9312

TITLE  
**Valving Assy: 2016 Float DPS, CM, RL, CML [.940 Bore]**

SIZE DWG. NO. **807-06-174-KIT**

PLOT SCALE 2.00:1 SHEET 1 OF 1

4

3

2

ProE ASSEM