

019-02-021  
Set Screw: Custom Dog Point, Radius [M3 x .5mm, .300 TLG], SS

039-00-228  
Spring: Detent, 2013 CTD [.190 TLG, .088 ID, 40 lb/in] 17-7 SS

TORQUE:  
TO CAM SHAFT  
AND BACK 1/4 TURN

OIL:  
THIN LAYER  
OF FLOAT FLUID

TORQUE:  
35±5 IN. LB.

Eyelet: 2013 FLOAT CTD, LV, 6061-T6, Black Ano III

802-00-007-KIT  
Air Valve Assy: Slim [M6 X .75, 1.150 TLG]

010-00-025  
Cap, Air Valve, Short [.305-32] Black

GREASE:  
THIN LAYER  
HI-TEMP GREASE (BLUE)

039-00-244  
Spring: Barrel Wound [9 lb/in, .027 wire, .220 Free Lg] 302 SS

029-08-079  
Seals: O-Ring [7.5MM ID x 1.5MM CS] Metric, N-70, Static

029-00-032  
Seals: O-Ring [(-032) .070 C.S. X 1.864 ID] Standard N674-70, Dynamic

210-22-630  
Cam: (T) RD Adj, 2013 CTD Factory, [1.535 TLG, .090 Shaft] 416 SS

210-30-053  
Cam: CD Adj, 2016 Float DPS-Adj [.372 OD, 1.113 TLG], 416 SS

038-00-096  
Retaining Ring: External, .250 Shaft, Smalley, 2 Turn, 302 SS

210-22-625  
Shim: Spring Retainer 2013 CTD (.250 ID x .370 OD x .035 TH), SS

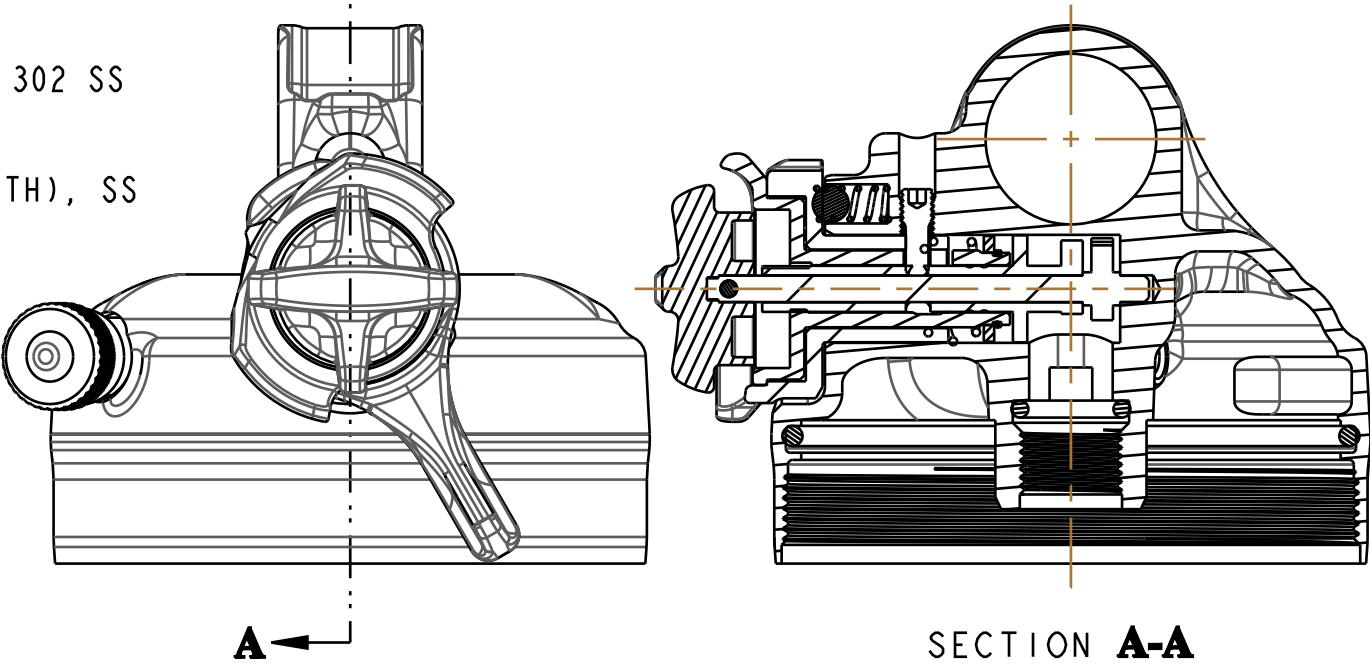
210-22-616  
Lever: CD Adj, 2014 CTD Factory, AL 6061

210-22-622  
Knob: CD Adj, Trail Setting, 2013 CTD Factory, AL 6061

019-01-006  
Fastener, Standard (Metric): Screw [M3 x 4mm] SS Socket Set Cone Point

TORQUE:  
5±1 IN. LB.

210-22-620  
Rebound Knob: 2013 Float CTD [.540 OD, .272 TLG] AL 6061



- PROPRIETARY -  
THIS DOCUMENT CONTAINS CONFIDENTIAL, PROPRIETARY INFORMATION  
THAT IS FOX PROPERTY. DO NOT DISCLOSE TO OR DUPLICATE  
FOR OTHERS EXCEPT AS AUTHORIZED BY FOX.

<b>FOX Factory, Inc.</b> 130 Hangar Way, Watsonville, CA 95076 USA Ph 831-768-1100 Fax 831-768-9312	
<b>Eyelet Assy: 2016 FLOAT F-S DPS-Adj LV</b>	
TITLE <b>C</b>	DWG. NO. <b>808-17-201-KIT</b>
SIZE 3/2	SHEET 1 OF 1