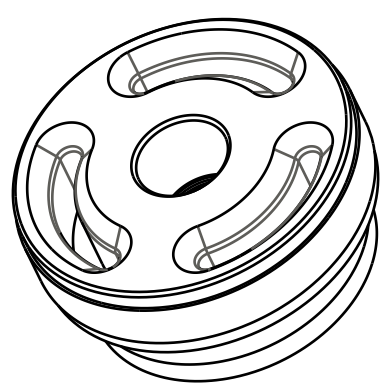


4

3

2

1



Piston: (T) 2014 Float BV [0.940 Bore, 3x .052 RD ports] 7075-T6, Non-Grained

Seals: O-Ring [20.0MM ID x 1.0MM CS] Metric, N-70, Static

002-02-009  
Bearing: Glide Ring, Blue Turcon

029-08-006

222-01-274

044-08-080  
Valve: [.800 OD X .252 ID X .008 TH]

044-10-070  
Valve: [.700 OD X .252 ID X .010 TH]

044-10-060  
Valve: [.600 X .252 X .010]

044-08-050  
Valve: [.500 OD X 0.252 ID X 0.008 TH]

044-10-040  
Valve: [.400 OD X .252 ID X .010 TH]

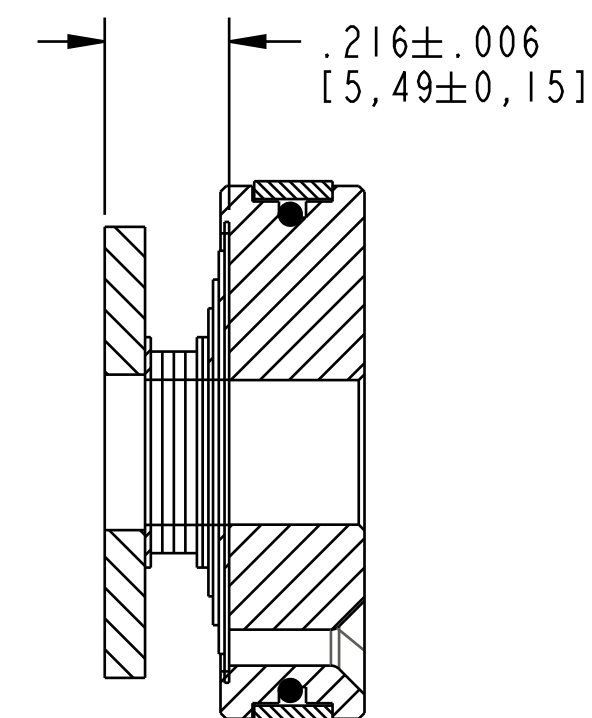
044-20-035  
Valve: [.350 OD X .252 ID X .020 TH]

233-00-231  
Spacer: Topout Plate [.250 ID X .783 OD X .070 THK] Steel

(044-10-040)

(044-20-035)

(044-10-040)



SECTION A-A  
SCALE 3.000

**FOX** FOX Factory, Inc. Ph 831-768-1100  
130 Hangar Way, Watsonville, CA 95076 USA Fax 831-768-9312

TITLE Piston Assy: 2016 X2,CF  
.250 Post, .940 Bore

SIZE DWG. NO. 805-02-030-KIT

PLOT SCALE 2.00:1 SHEET 1 OF 1

- PROPRIETARY -  
THIS DOCUMENT CONTAINS CONFIDENTIAL, PROPRIETARY INFORMATION  
THAT IS FOX PROPERTY. DO NOT DISCLOSE TO OR DUPLICATE  
FOR OTHERS EXCEPT AS AUTHORIZED BY FOX.

4

3

2

ProE ASSEM