

4

3

2

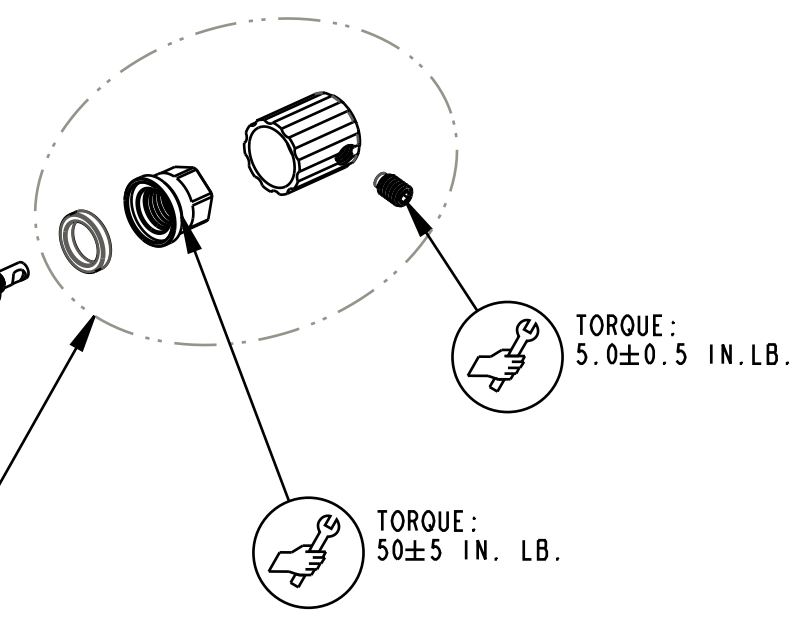
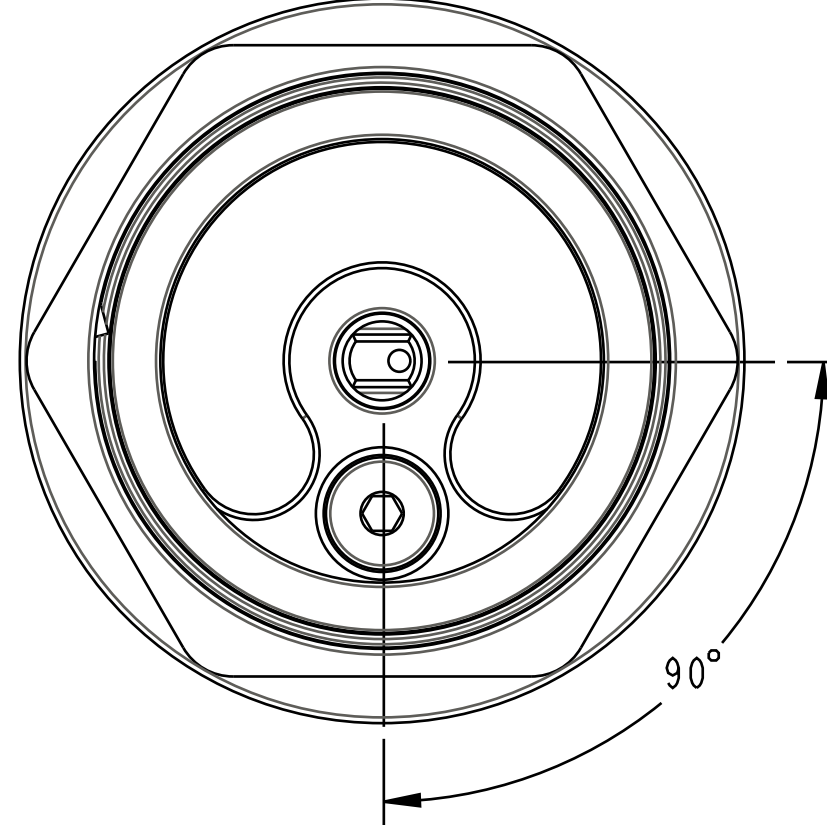
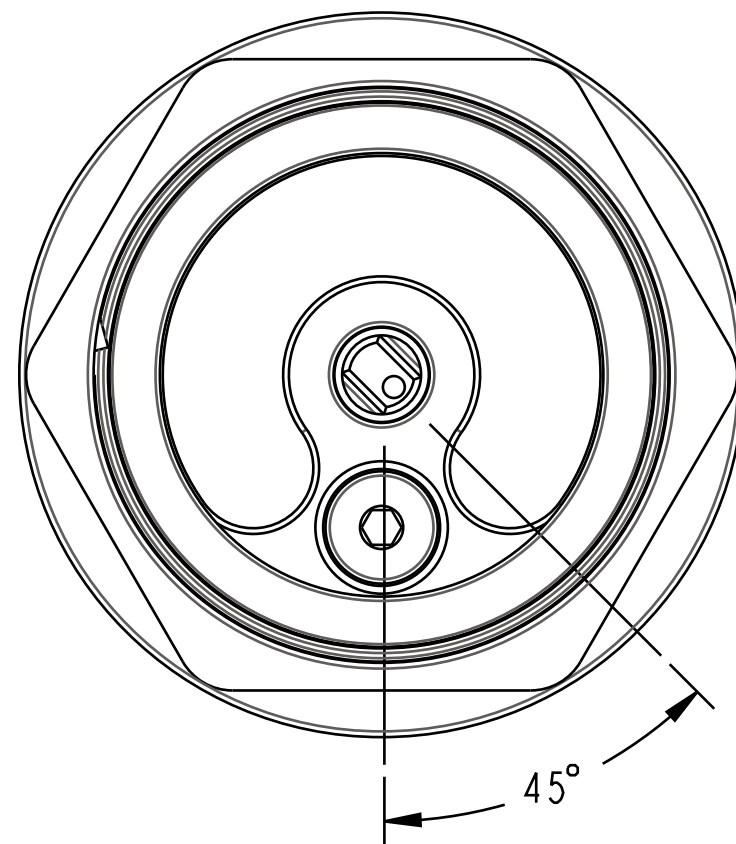
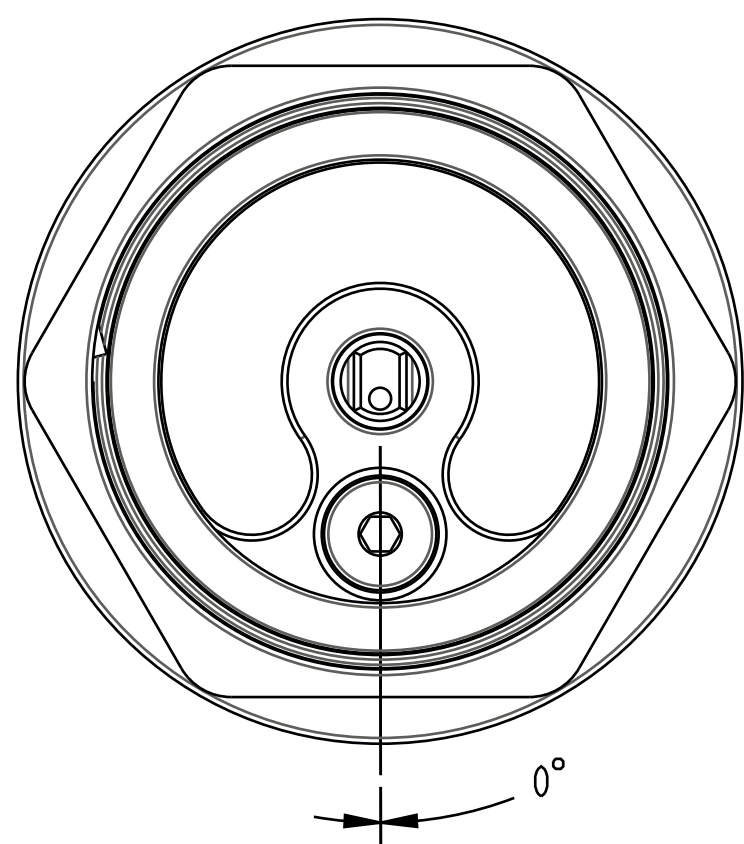
1

1 DAMPER OIL FILL AND BLEED OPERATION MUST BE DONE WITH ADJUSTER IN DESCEND POSITION

CLIMB

TRAIL

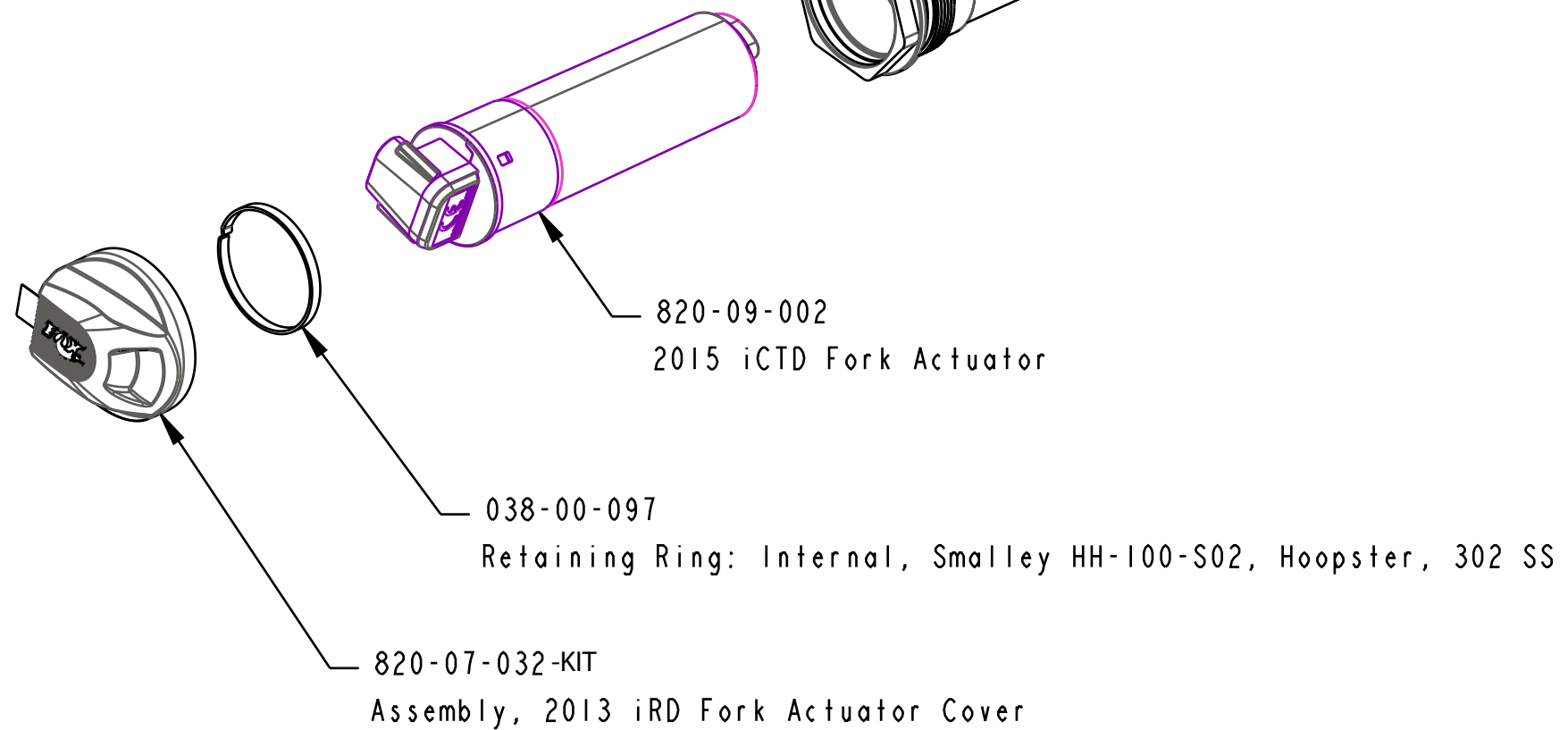
DESCEND 1



BOTTOM STUD INTERFACE PARTS

TORQUE: 220±5 IN. LB.

iCTD CARTRIDGE ASSY



- PROPRIETARY -  
THIS DOCUMENT CONTAINS CONFIDENTIAL, PROPRIETARY INFORMATION  
THAT IS FOX PROPERTY. DO NOT DISCLOSE TO OR DUPLICATE  
FOR OTHERS EXCEPT AS AUTHORIZED BY FOX.

**FOX** FOX Factory, Inc. Ph 831-768-1100  
130 Hangar Way, Watsonville, CA 95076 USA Fax 831-768-9312

TITLE  
**2015 32 27 5-29in iRD  
Cartridge Assy Complete Drawing**

SIZE DWG. NO.  
**C**

PLOT SCALE 0.75:1 SHEET 1 OF 1

ProE ASSEM