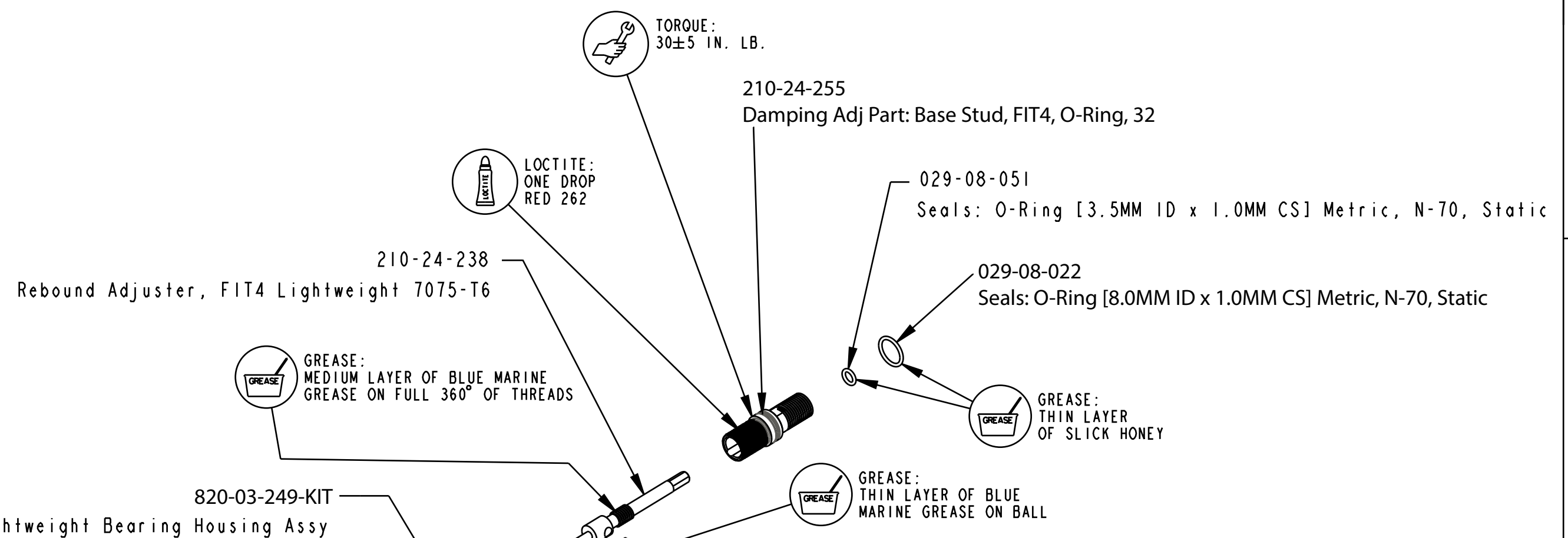
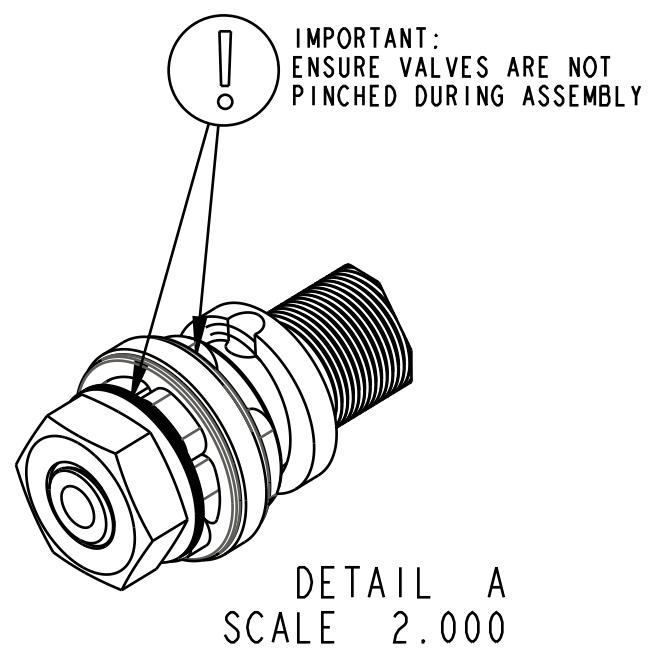


4

3

2

1



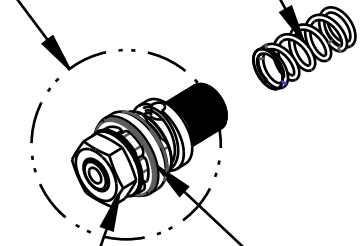
820-03-249-KIT
2017 FIT4 Lightweight Bearing Housing Assy

039-00-131
Spring: [.690 TLG X .242 ID X 22.0 lb/in] Stainless Steel

029-08-026
Seals: O-Ring [2.0 MM ID x 1.5 MM CS] Metric, N-60, Static

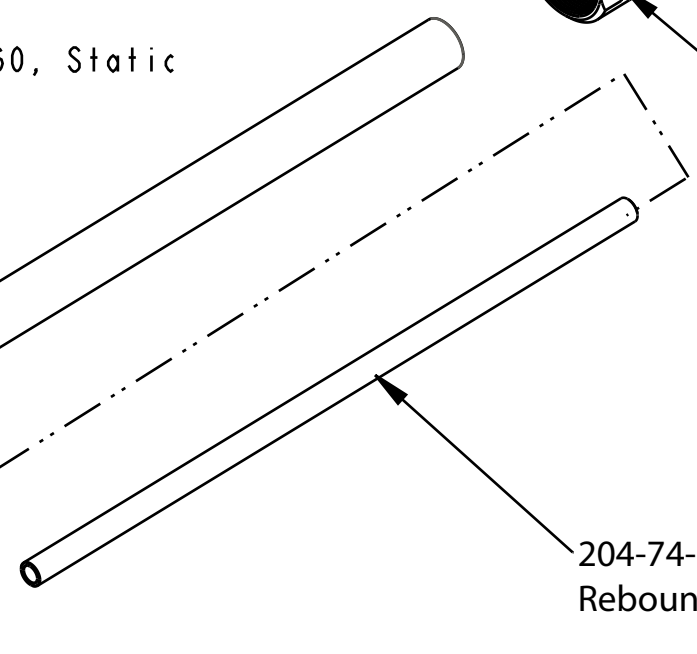
210-22-673
Needle, Rebound, 2016 FIT4 40RC

SEE DETAIL A



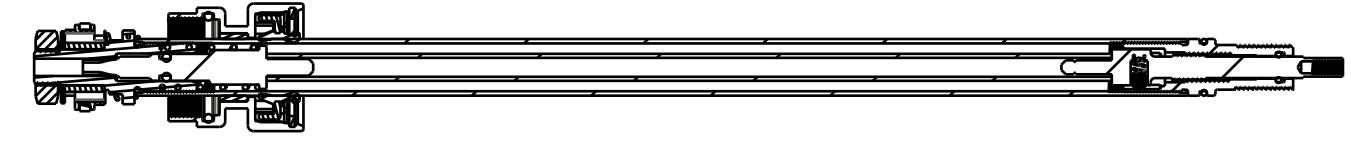
820-03-486-KIT
2016 FIT4 Rebound Piston Assy, Short Travel

GREASE:
THIN LAYER
OF SLICK HONEY



204-74-026
Rebound Tube: (T) Machined, MY17, 32mm 29in 100mm Travel, FIT4 Lightweight

229-10-139
(T) Shaft, Damper, 10mm, MY17, 32mm 29in 100mm Travel, FIT4 Lightweight



		FOX Factory, Inc.	Ph 831-768-1100
		130 Hangar Way, Watsonville, CA 95076 USA	Fax 831-768-9312
TITLE	2017 32 27.5in and 29in FIT4 SC Damper Shaft Assy		
SIZE	DWG. NO.	820-03-259-KIT	
C		PLOT SCALE .00 : 1	SHEET OF 1

PROPRIETARY - THIS DOCUMENT CONTAINS CONFIDENTIAL, PROPRIETARY INFORMATION THAT IS FOX PROPERTY. DO NOT DISCLOSE TO OR DUPLICATE FOR OTHERS EXCEPT AS AUTHORIZED BY FOX.

4

3

2

ProE ASSEM