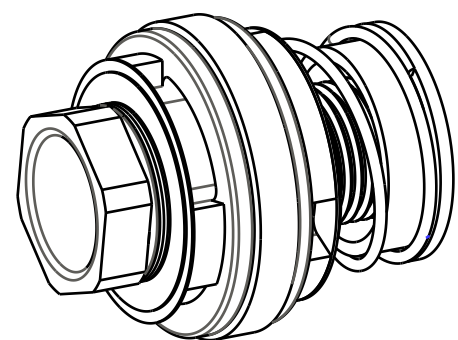


4

3

2

1



Damping Adjust Part: Check Limiter and Spring Perch, 0.35mm Lift

Spring: [0.214 TLG X 0.379 ID X 3.5 lb/in] Stainless Steel

210-22-314  
Damp Adj Part: Bolt, Rebound Piston, 010 RL-RLC

045-00-088  
VALVE 10.7MM OD X 6.4MM ID X 0.10MM TH

045-00-087  
VALVE 11.8MM OD X 6.4MM ID X 0.10MM TH

039-00-145

210-22-772

(045-00-090)

IMPORTANT:  
SMALLER OD FITS  
INSIDE SPRING

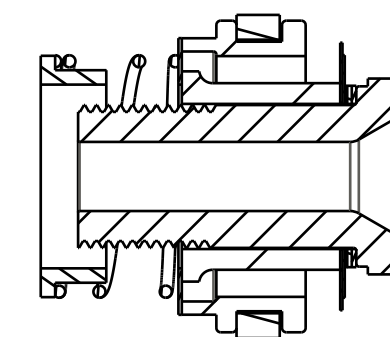
045-00-086  
VALVE 12.2MM OD X 8.1MM ID X 0.15MM TH

222-01-245  
Piston, Rebound, 0.563 Bore, 2013-14 FIT CTD

045-00-098  
VALVE 8.0MM OD X 6.4MM ID X 0.10MM TH

002-02-025  
Bearing: External Ring, Piston, Glide, Turcite, Z-Cut [0.561 OD X 0.043 CS]

045-00-090  
VALVE 8.0MM OD X 6.4MM ID X 0.20MM TH



SECTION A-A  
SCALE 3:1

**FOX** FOX Factory, Inc. Ph 831-768-1100  
130 Hangar Way, Watsonville, CA 95076 USA Fax 831-768-9312

TITLE  
**2015 FIT Main Piston Assy**

SIZE DWG. NO.  
**C 820-03-451-KIT**

PLOT SCALE 3.00:1 SHEET 1 OF 1

PROPRIETARY  
THIS DOCUMENT CONTAINS CONFIDENTIAL, PROPRIETARY INFORMATION  
THAT IS FOX PROPERTY. DO NOT DISCLOSE TO OR DUPLICATE  
FOR OTHERS EXCEPT AS AUTHORIZED BY FOX.

4

3

2

ProE ASSEM