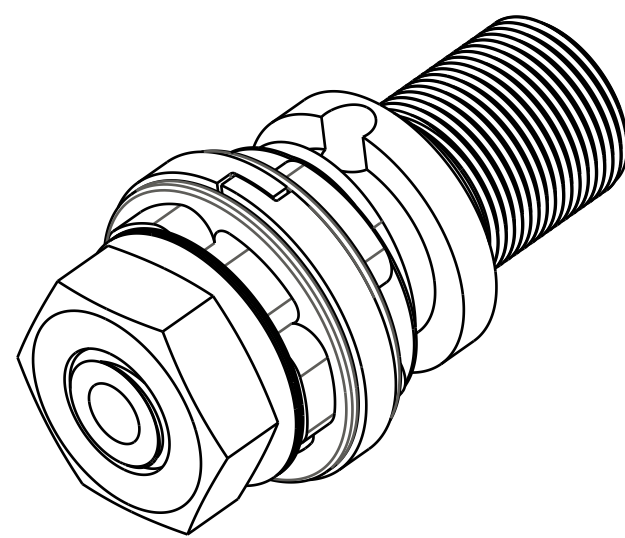


4

3

2

1



210-22-881  
Shaft Stud, FIT4

039-00-120  
Spring: Rebound Check, 09 36\_40

! IMPORTANT:  
ORIENT SPRING SO CLOSED  
END FACES SHAFT STUD

GREASE:  
THIN LAYER  
OF SLICK HONEY

002-02-011  
Glide Ring, 04 Slim R\_RL\_RLC\_X

210-10-105  
Piston: Rebound, Kidney, 35/65 Flow

029-08-029  
Seals: O-Ring [7.0MM ID x 1.0MM CS] Metric, N-70, Static

045-00-035 3  
Valve: Metric [13.0mm OD X 8.1mm ID X 0.15mm TH]

045-00-149  
Valve: Metric [8.0mm OD X 6.40mm ID X 0.152mm TH]

044-20-035  
Valve: [.350 OD X .252 ID X .020 TH]

! IMPORTANT:  
NOTE PISTON  
ORIENTATION

3

044-04-050  
Valve: [.500 OD X .252 ID X .0045 TH]

018-00-012  
Nut [1/4-28 X 5/32 TLG]

(044-04-050)

(045-00-149)

3 ENSURE VALVES ARE NOT PINCHED DURING ASSEMBLY

TORQUE:  
HAND TIGHT

- PROPRIETARY -  
THIS DOCUMENT CONTAINS CONFIDENTIAL, PROPRIETARY INFORMATION  
THAT IS FOX PROPERTY. DO NOT DISCLOSE TO OR DUPLICATE  
FOR OTHERS EXCEPT AS AUTHORIZED BY FOX.

**FOX** **FOX Factory, Inc.** Ph 831-768-1100  
130 Hangar Way, Watsonville, CA 95076 USA Fax 831-768-9312

TITLE  
**Rebound Piston Assy  
2016 FIT4**

SIZE DWG. NO.  
**C 820-03-465-KIT**

PLOT SCALE 3.00:1 SHEET 1 OF 1

4

3

2

ProE ASSEM