

4

3

2

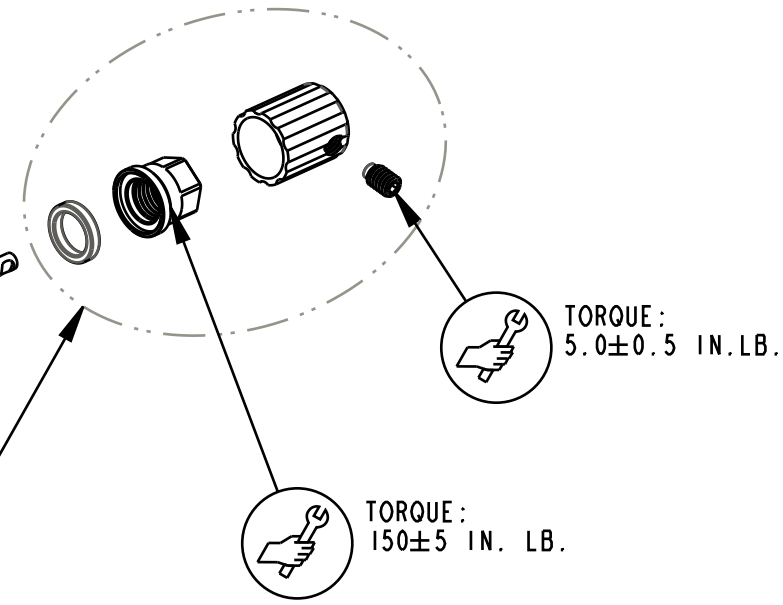
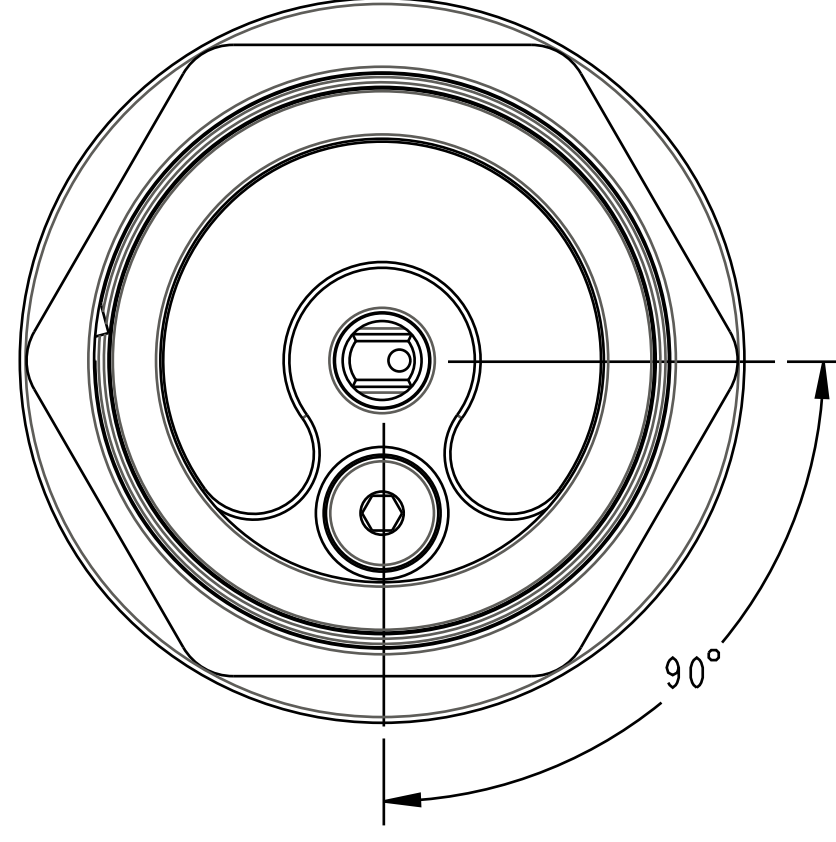
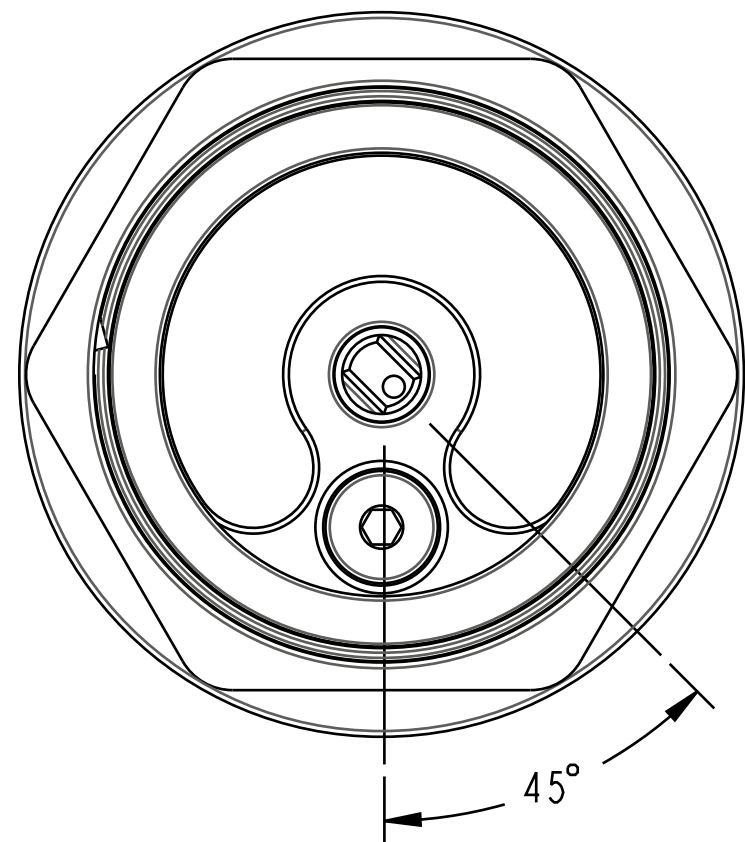
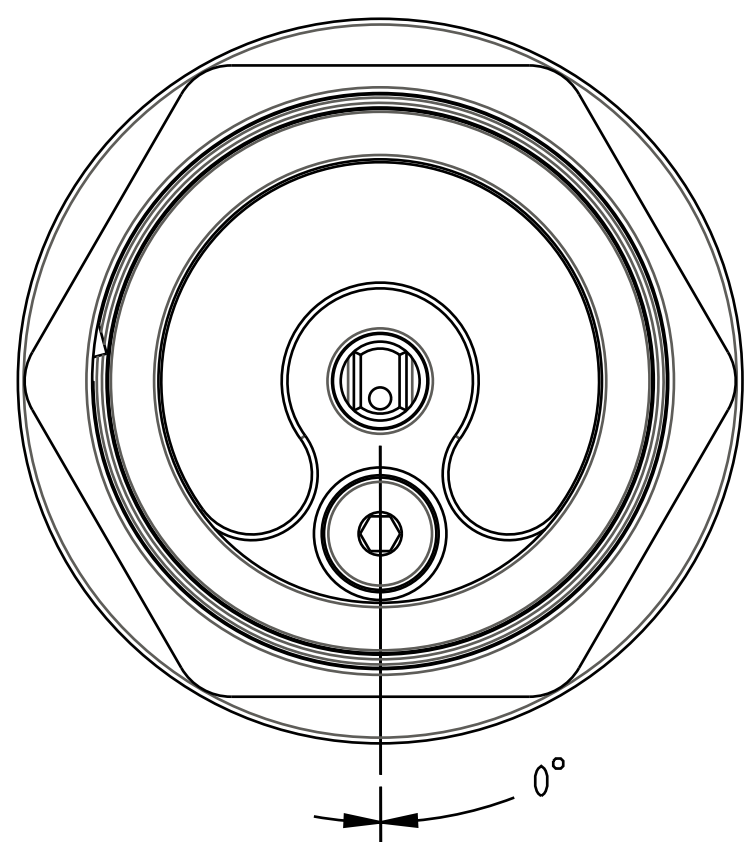
1

1 DAMPER OIL FILL AND BLEED OPERATION MUST BE DONE WITH ADJUSTER IN DESCEND POSITION

CLIMB

TRAIL

DESCEND 1



820-05-335-KIT
BOTTOM STUD INTERFACE PARTS

TORQUE: 220±5 IN. LB.

iCTD CARTRIDGE ASSY

820-09-002
2015 iCTD Fork Actuator

038-00-097
Retaining Ring: Internal, Smalley HH-100-S02, Hoopster, 302 SS

820-07-032-KIT
Assembly, 2013 iRD Fork Actuator Cover

FOX FOX Factory, Inc. Ph 831-768-1100
130 Hangar Way, Watsonville, CA 95076 USA Fax 831-768-9312

TITLE
**2015 34 26-27.5-29in iCTD
Cartridge Assy Complete Drawing**

SIZE DWG. NO.
C
PLOT SCALE 0.75:1 SHEET 1 OF 1

- PROPRIETARY -
THIS DOCUMENT CONTAINS CONFIDENTIAL, PROPRIETARY INFORMATION
THAT IS FOX PROPERTY. DO NOT DISCLOSE TO OR DUPLICATE
FOR OTHERS EXCEPT AS AUTHORIZED BY FOX.

4

3

2

1

ProE ASSEM