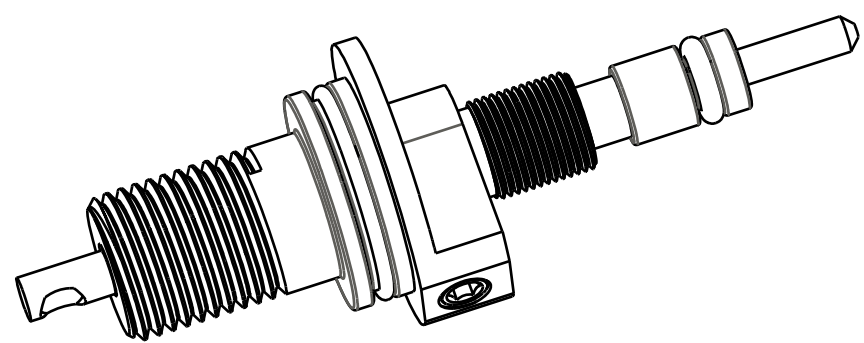


4

3

2

1



SCALE 2:1

Damp Adj Part: Screw, Rebound Adjust, 010 RL_RLC
 210-22-311

GREASE:
 THIN LAYER
 OF SLICK HONEY

029-08-004
 O-Ring [3MM ID x 1MM C.S.]

210-22-439
 Lower Damper Shaft Insert, 011 36 RLC

GREASE:
 THIN LAYER
 OF SLICK HONEY

GREASE:
 THIN LAYER
 OF SLICK HONEY

029-08-068
 O-Ring [3.0MM ID x 1.5MM CS]

GREASE:
 THIN LAYER
 OF SLICK HONEY

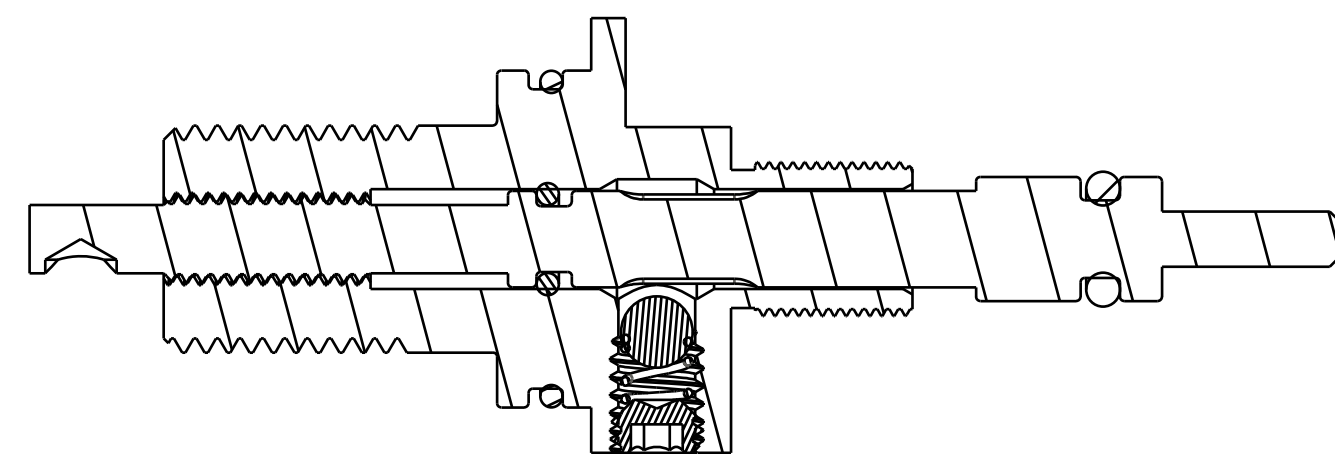
029-08-047
 O-Ring [13.0MM ID x 1.0MM CS]

010-01-000
 Ball [Ø 0.1250] Steel

039-00-029
 Spring: [0.125 TLG X 0.125 OD X 50.00 lbs/in]

018-01-006
 Screw, Set [#8-32 X .093 L] Cup Pt, Nylok

TIGHTEN UNTIL FLUSH



SECTION A-A

		FOX Factory, Inc.		Ph 831-768-1100
		130 Hangar Way, Watsonville, CA 95076 USA		Fax 831-768-9312
TITLE				
011 36 FIT RLC 160 REBOUND ADJUSTER ASSY				
SIZE	DWG. NO.			
C	820-03-185-KIT			
PLOT SCALE 3.00:1			SHEET 1 OF 1	

PROPRIETARY
 THIS DOCUMENT CONTAINS CONFIDENTIAL, PROPRIETARY INFORMATION
 THAT IS FOX PROPERTY. DO NOT DISCLOSE TO OR DUPLICATE
 FOR OTHERS EXCEPT AS AUTHORIZED BY FOX.

4

3

2

1

ProE ASSEM