

4

3

2

1

045-00-160  
Valve: Metric [17.35mm OD X 7mm ID X 0.15mm THK]

\* PISTON ORIENTATION IS CRITICAL  
SMALL PORTS FACE NUT

210-24-171  
Damping Adj Part: Piston Stud, 6mm

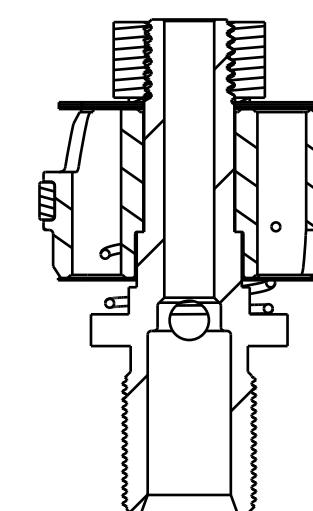
039-00-120  
Spring: Rebound Check, 09 36\_40

002-02-068  
Bearing, External: Glide Ring, Molded, Z-Cut, 20.0 Bore

222-01-294  
Piston, Damping, Rebound, PM, 18.5 Bore

VALVES 045-00-171 x5  
045-00-170 x1

019-00-018  
Fastener, Standard (Metric), Nut, M6 x .75



SECTION A-A

TITLE	 <b>FOX Factory, Inc.</b> 130 Hangar Way, Watsonville, CA 95076 USA Ph 831-768-1100 Fax 831-768-9312	
	<b>Rebound Piston, 34 2017 Grip</b>	
SIZE	DWG. NO.	
<b>C</b>	820-03-458-KIT	
PLOT SCALE 2.00:1		SHEET 1 OF 1

- PROPRIETARY -  
THIS DOCUMENT CONTAINS CONFIDENTIAL, PROPRIETARY INFORMATION  
THAT IS FOX PROPERTY. DO NOT DISCLOSE TO OR DUPLICATE  
FOR OTHERS EXCEPT AS AUTHORIZED BY FOX.

4

3

2

ProE ASSEM