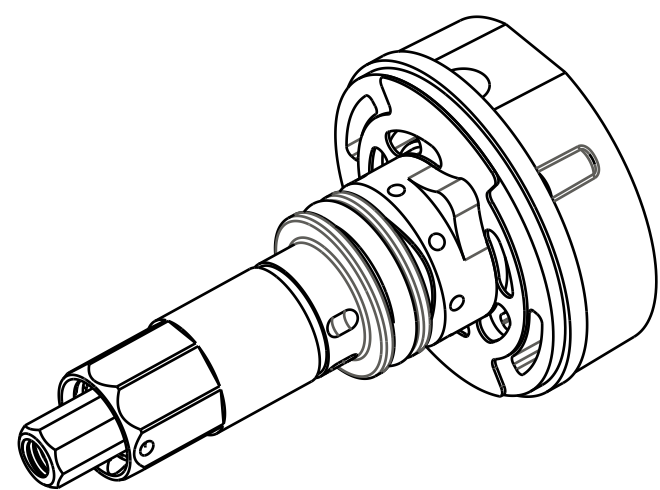


4

3

2

1



I ENSURE SLOT ON BUTTERFLY VALVE (210-22-882) LINE UP WITH HOLES ON COMPRESSION PISTON (222-01-290)

I 210-24-004

Butterfly Valve, FIT4, Large Tabs

038-01-071

Retaining Ring: Wire [0.340 OD X 0.024" Wire] 17-7 SST

GREASE:
THIN LAYER
OF SLICK HONEY

210-22-918

SHAFT, COMPRESSION SELECTOR, F-S, FIT4

GREASE:
THIN LAYER
OF SLICK HONEY

210-22-920

Compression Adjust Coupler, F-S, FIT4

222-01-290

Piston, Compression, FIT4, Dished, Zinc, Die Cast

210-22-919

Compression Adjust Needle, F-S, FIT4

210-22-921

Lockout Selector, F-S, FIT4

039-00-241

Spring: Wave [.322 ID x .420 OD, 3 Waves] SS

029-08-041

Seals: O-Ring [9.0MM ID x 1.5MM CS] Metric, N-70, Dynamic

029-08-068

Seals: O-Ring [3.0MM ID x 1.5MM CS] Metric, N-70, Static

010-01-012

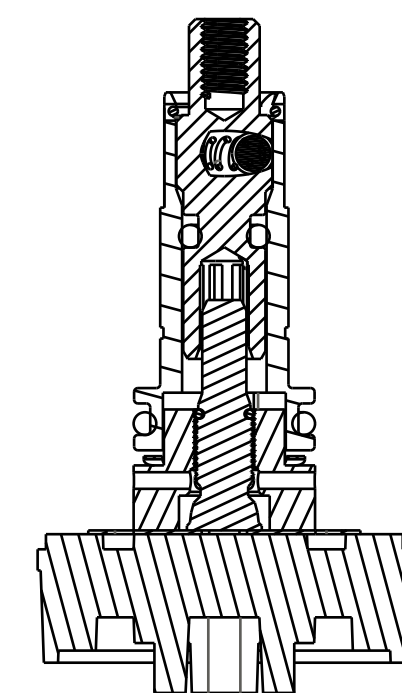
Ball [Ø.1094]

039-00-243

Spring: Detent [.138 TLG, .087 OD, 48 lb/in]

038-01-073

Retaining Ring: Wire [.280 OD X .024 CS] SS



- PROPRIETARY -
THIS DOCUMENT CONTAINS CONFIDENTIAL, PROPRIETARY INFORMATION
THAT IS FOX PROPERTY. DO NOT DISCLOSE TO OR DUPLICATE
FOR OTHERS EXCEPT AS AUTHORIZED BY FOX.

FOX Factory, Inc. Ph 831-768-1100
130 Hangar Way, Watsonville, CA 95076 USA Fax 831-768-9312

TITLE
**2016 FIT4 F-S
TOP CAP PARTS**

SIZE DWG. NO.
C 820-03-462-KIT

PLOT SCALE 2.00:1 SHEET 1 OF 1

4

3

2

1

ProE ASSEM