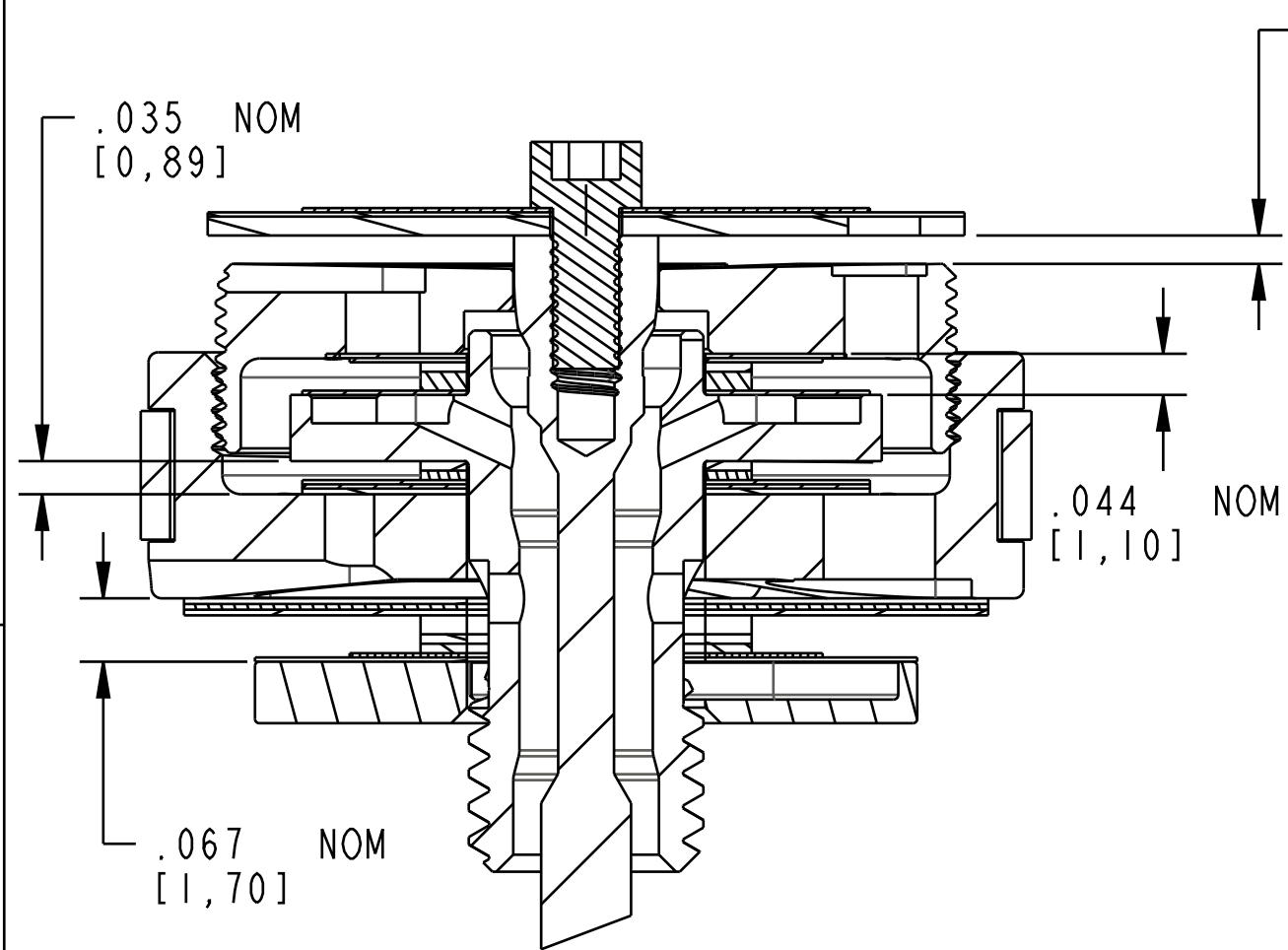


4

3

2

1



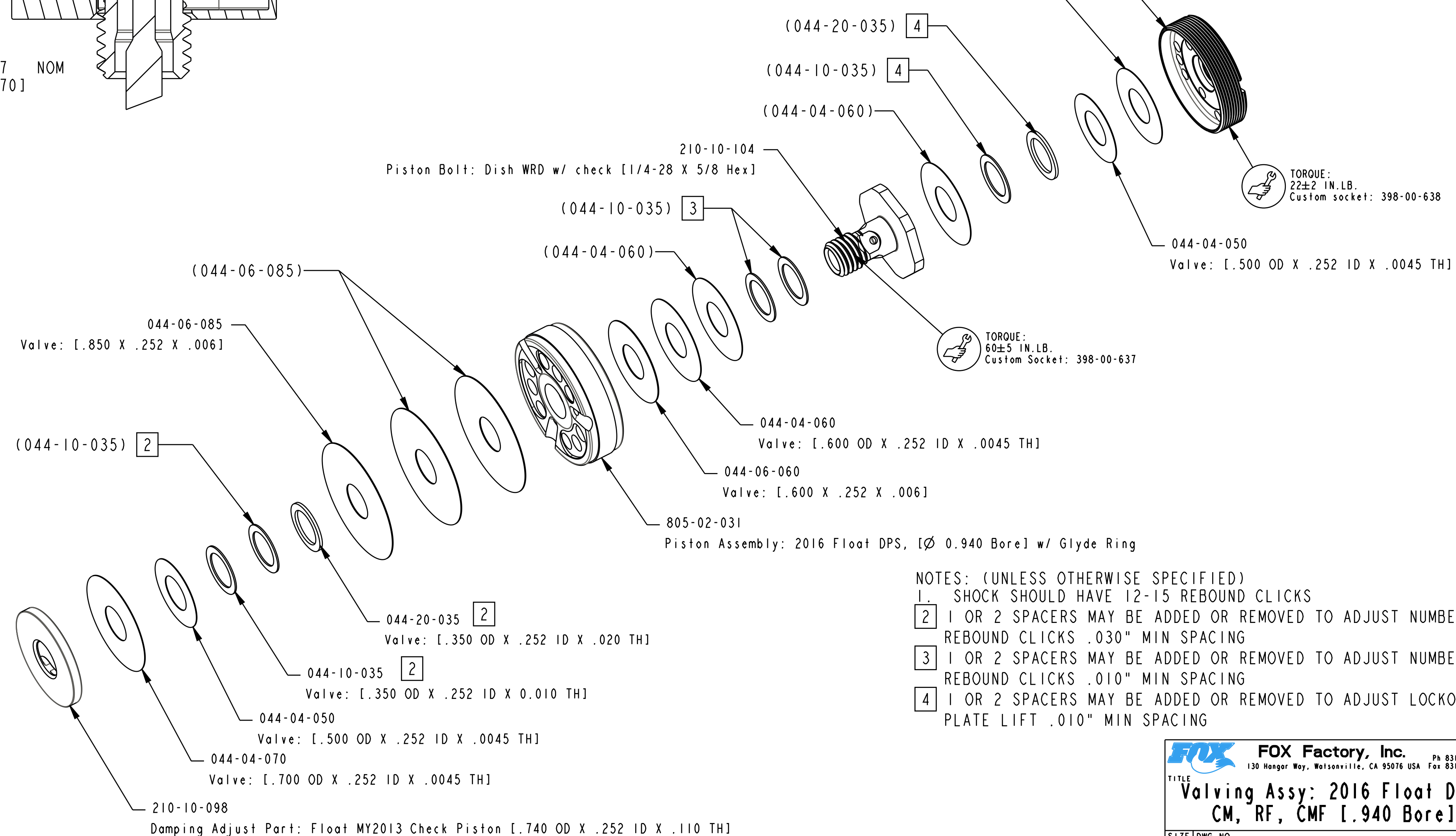
.030-.047
[0,77-1,19]
PLATE LIFT FROM CLOSED TO MIDDLE POSITION, ALL NON REMOTES + IRD

.072-.090
[1,83-2,29]
PLATE LIFT FROM CLOSED TO OPEN POSITION, ALL CABLE REMOTES EXCEPT NOTE [5]

[5] USE .030-.047 LIFT SPEC FROM CLOSED TO OPEN FOR REMOTES WITH 210-30-090 CAM (TREK)

Piston: Lockout, Float DPS [.200 TLG, M20 X 0.5] 416SS

222-01-297
044-04-055
Valve: [.550 OD X 0.252 ID X 0.0045 TH]



NOTES: (UNLESS OTHERWISE SPECIFIED)

[1] SHOCK SHOULD HAVE 12-15 REBOUND CLICKS

[2] 1 OR 2 SPACERS MAY BE ADDED OR REMOVED TO ADJUST NUMBER OF REBOUND CLICKS .030" MIN SPACING

[3] 1 OR 2 SPACERS MAY BE ADDED OR REMOVED TO ADJUST NUMBER OF REBOUND CLICKS .010" MIN SPACING

[4] 1 OR 2 SPACERS MAY BE ADDED OR REMOVED TO ADJUST LOCKOUT PLATE LIFT .010" MIN SPACING

FOX Factory, Inc. Ph 831-768-1100
130 Hangar Way, Watsonville, CA 95076 USA Fax 831-768-9312

TITLE
Valving Assy: 2016 Float DPS, CM, RF, CMF [.940 Bore]

SIZE DWG. NO. **807-06-160-KIT**

PLOT SCALE 2.00:1 SHEET 1 OF 1

PROPRIETARY - THIS DOCUMENT CONTAINS CONFIDENTIAL, PROPRIETARY INFORMATION THAT IS FOX PROPERTY. DO NOT DISCLOSE TO OR DUPLICATE FOR OTHERS EXCEPT AS AUTHORIZED BY FOX.

4

3

2

ProE ASSEM