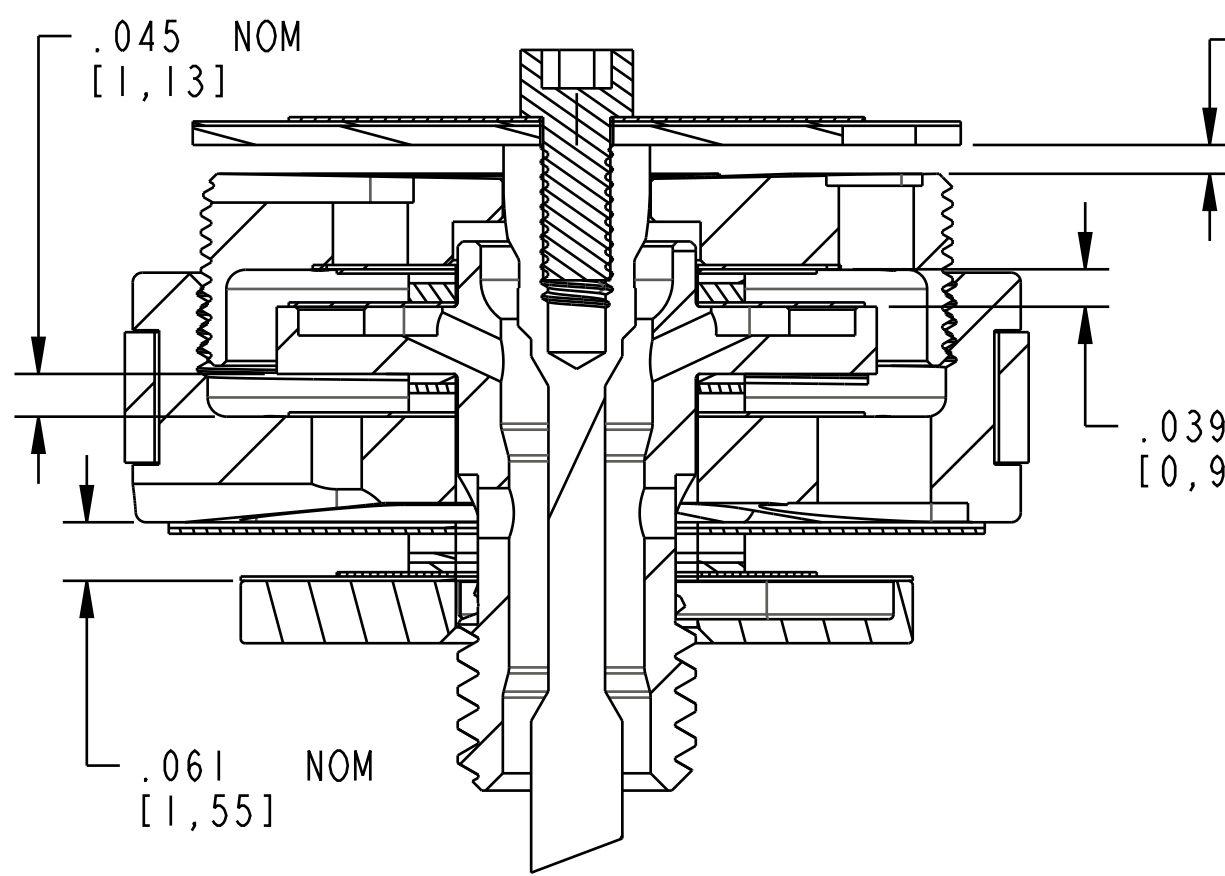


4

3

2

1



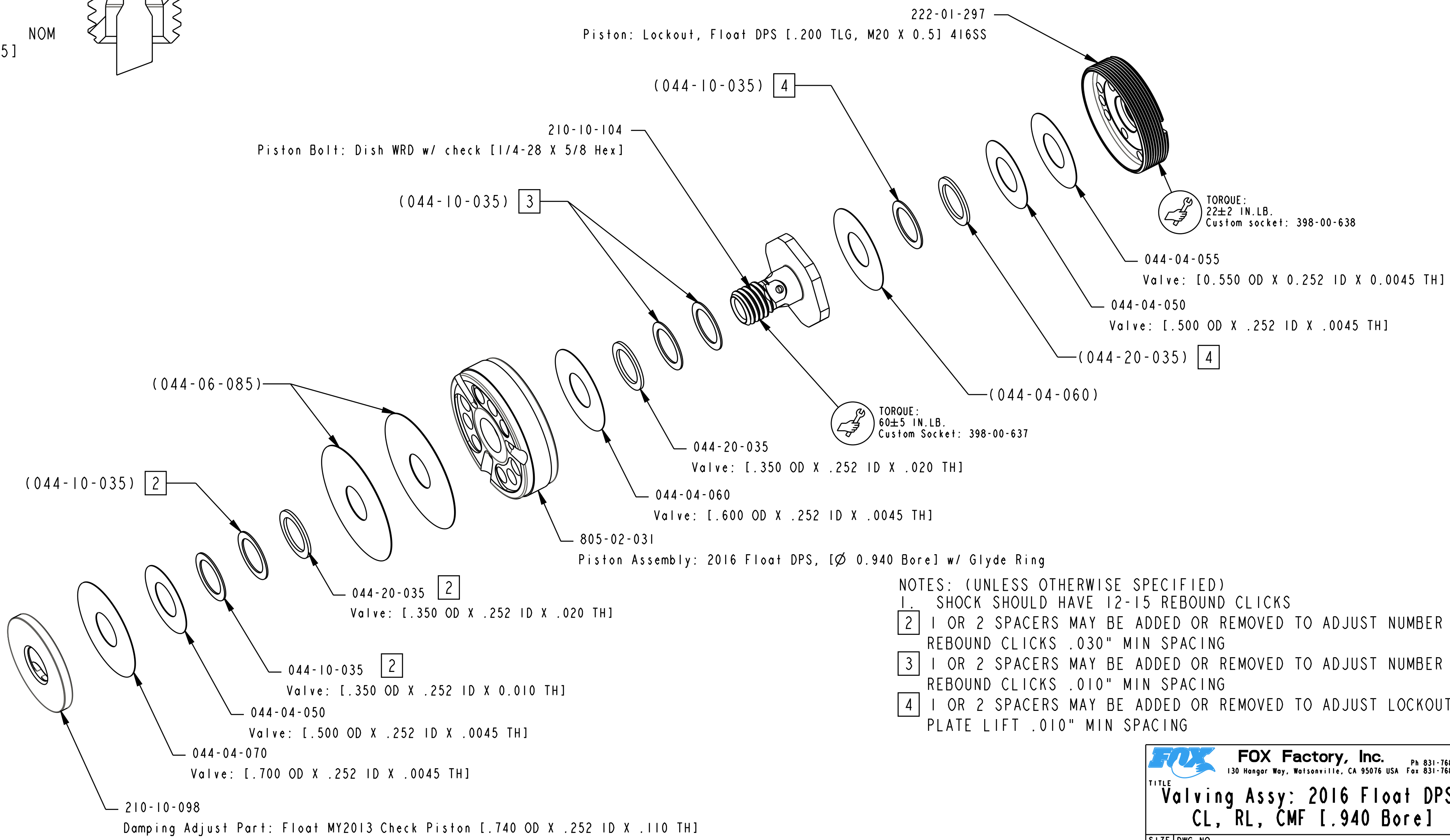
.030-.047 [0,77-1,19]
 PLATE LIFT FROM CLOSED TO MIDDLE POSITION, ALL NON REMOTES + IRD

.072-.090 [1,83-2,29]
 PLATE LIFT FROM CLOSED TO OPEN POSITION, ALL CABLE REMOTES EXCEPT NOTE [5]

[5] USE .030-.047 LIFT SPEC FROM CLOSED TO OPEN FOR REMOTES WITH 210-30-090 CAM (TREK)

222-01-297
 Piston: Lockout, Float DPS [.200 TLG, M20 X 0.5] 416SS

210-10-104
 Piston Bolt: Dish WRD w/ check [1/4-28 X 5/8 Hex]



NOTES: (UNLESS OTHERWISE SPECIFIED)

1. SHOCK SHOULD HAVE 12-15 REBOUND CLICKS

[2] 1 OR 2 SPACERS MAY BE ADDED OR REMOVED TO ADJUST NUMBER OF REBOUND CLICKS .030" MIN SPACING

[3] 1 OR 2 SPACERS MAY BE ADDED OR REMOVED TO ADJUST NUMBER OF REBOUND CLICKS .010" MIN SPACING

[4] 1 OR 2 SPACERS MAY BE ADDED OR REMOVED TO ADJUST LOCKOUT PLATE LIFT .010" MIN SPACING

PROPRIETARY - THIS DOCUMENT CONTAINS CONFIDENTIAL, PROPRIETARY INFORMATION THAT IS FOX PROPERTY. DO NOT DISCLOSE TO OR DUPLICATE FOR OTHERS EXCEPT AS AUTHORIZED BY FOX.

FOX Factory, Inc. Ph 831-768-1100
 130 Hangar Way, Watsonville, CA 95076 USA Fax 831-768-9312

TITLE
Valving Assy: 2016 Float DPS, CL, RL, CMF [.940 Bore]

SIZE DWG. NO.
C 807-06-168-KIT

PLOT SCALE 2.00:1 SHEET 1 OF 1

4

3

2

ProE ASSEM