

4

3

2

1

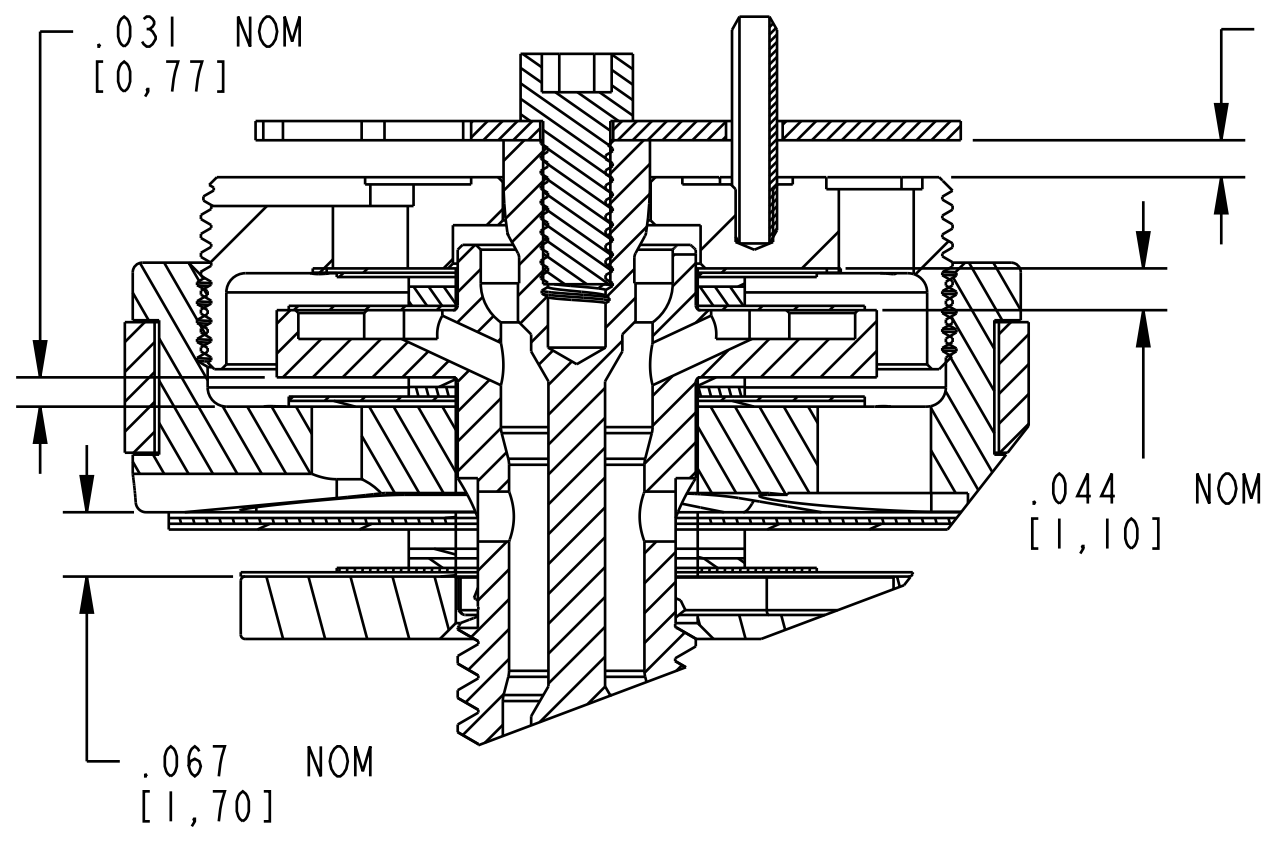


PLATE LIFT FROM CLOSED TO MIDDLE POSITION, ALL NON REMOTES + IRD [5]

PLATE LIFT FROM CLOSED TO OPEN POSITION, ALL CABLE REMOTES EXCEPT NOTE [5]

Piston: Lockout, Float DPS [.200 TLG, M20 X 0.5] 416SS

TORQUE: 22±2 IN.LB.  
 Custom socket: 398-00-638

Piston Bolt: Dish WRD w/ check [1/4-28 X 5/8 Hex]

222-01-316

(044-20-035) [4]

(044-10-035) [4]

(044-04-060)

(044-10-035) [3]

210-10-104

044-04-055  
 Valve: [.550 OD X 0.252 ID X 0.0045 TH]

044-04-050  
 Valve: [.500 OD X .252 ID X .0045 TH]

TORQUE: 60±5 IN.LB.  
 Custom Socket: 398-00-637

044-04-060  
 Valve: [.600 OD X .252 ID X .0045 TH]

044-06-060  
 Valve: [.600 X .252 X .006]

805-02-031  
 Piston Assembly: 2016 Float DPS, [Ø 0.940 Bore] w/ Glyde Ring

044-04-070  
 Valve: [.700 OD X .252 ID X .0045 TH]

044-04-050  
 Valve: [.500 OD X .252 ID X .0045 TH]

(044-10-035) [2]

(044-06-085)

044-06-085  
 Valve: [.850 X .252 X .006]

044-20-035 [2]  
 Valve: [.350 OD X .252 ID X .020 TH]

044-10-035 [2]  
 Valve: [.350 OD X .252 ID X 0.010 TH]

210-10-098  
 Damping Adjust Part: Float MY2013 Check Piston [.740 OD X .252 ID X .110 TH]

- NOTES: (UNLESS OTHERWISE SPECIFIED)
- 1. SHOCK SHOULD HAVE 12-15 REBOUND CLICKS
  - [2] 1 OR 2 SPACERS MAY BE ADDED OR REMOVED TO ADJUST NUMBER OF REBOUND CLICKS .030" MIN SPACING
  - [3] 1 OR 2 SPACERS MAY BE ADDED OR REMOVED TO ADJUST NUMBER OF REBOUND CLICKS .010" MIN SPACING
  - [4] 1 OR 2 SPACERS MAY BE ADDED OR REMOVED TO ADJUST LOCKOUT PLATE LIFT .010" MIN SPACING
  - [5] USE .030-.047 LIFT SPEC FROM CLOSED TO OPEN FOR REMOTES WITH 210-30-090 CAM (TREK)

**FOX** FOX Factory, Inc. Ph 831-768-1100  
 130 Hangar Way, Watsonville, CA 95076 USA Fax 831-768-9312

TITLE  
**Valving Assy: 2017 Float DPS, R/C, CM, RM, CMF [.940 Bore]**

SIZE DWG. NO.  
**C 807-06-187-KIT**

PLOT SCALE 2.00:1 SHEET 1 OF 1

PROPRIETARY - THIS DOCUMENT CONTAINS CONFIDENTIAL, PROPRIETARY INFORMATION THAT IS FOX PROPERTY. DO NOT DISCLOSE TO OR DUPLICATE FOR OTHERS EXCEPT AS AUTHORIZED BY FOX.

4

3

2

ProE ASSEM