

4

3

2

1



Bearing [.118 W X 1.491 OD X .047 TH, Ø1.50 Bore]

Seals: Q-Ring, Custom Angle

Bearing [.118 W X 1.491 OD X .047 TH, Ø1.50 Bore]

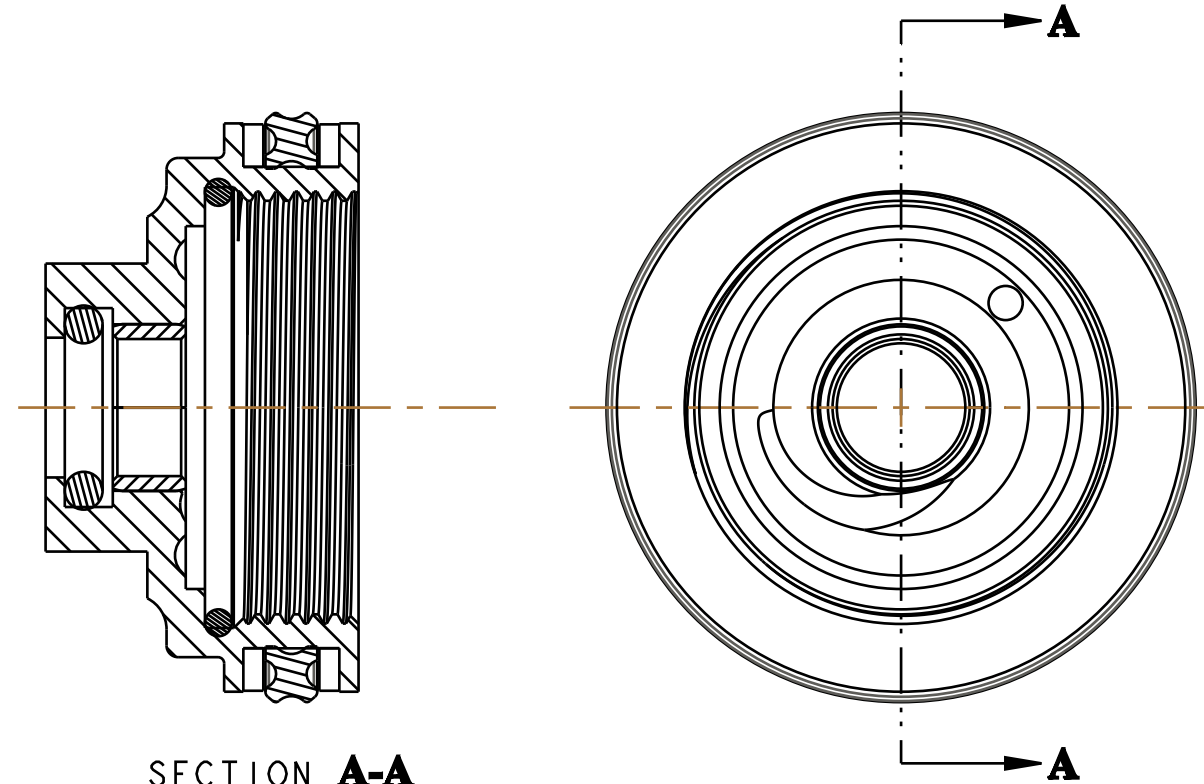
Seals: O-Ring [(-023) 070 C S X 1 051 ID] Standard N-70 Static

Bearing, (T): Internal [9mm ID x 11mm OD x .440" TLG, 9mm Shaft]

Seals: O-ring [8.5mm ID x 2.5mm CS], Metric, Polyurethane 92A or 90A, Dynamic

Bearing Housing: Float 2013, Black [1.500 Air Sleeve Bore, 9mm Shaft, .815 TLG]

I



SECTION A-A

NOTES: UNLESS OTHERWISE SPECIFIED

I STAMP OR ENGRAVE ON INDICATED SURFACE:

DATE - W.O. P/N
XXXX-XXXXXX XXXXXXXX

DATE = CALENDAR DAY
W.O. = WORK ORDER NUMBER
P.N. = 900 LEVEL FOX PART NUMBER

PROPRIETARY - THIS DOCUMENT CONTAINS CONFIDENTIAL, PROPRIETARY INFORMATION THAT IS FOX PROPERTY. DO NOT DISCLOSE TO OR DUPLICATE FOR OTHERS EXCEPT AS AUTHORIZED BY FOX.

FOX Factory, Inc. Ph 831-768-1100
130 Hangar Way, Watsonville, CA 95076 USA Fax 831-768-9312

TITLE **Bearing Assy: FLOAT 2013, Black**
[.940 Bore, 1.500 Bore, 9mm Shaft, .815 TLG]

SIZE DWG. NO. **812-06-060-KIT**

PLOT SCALE 2/1 SHEET 1 OF 1

4

3

2

ProE ASSEM