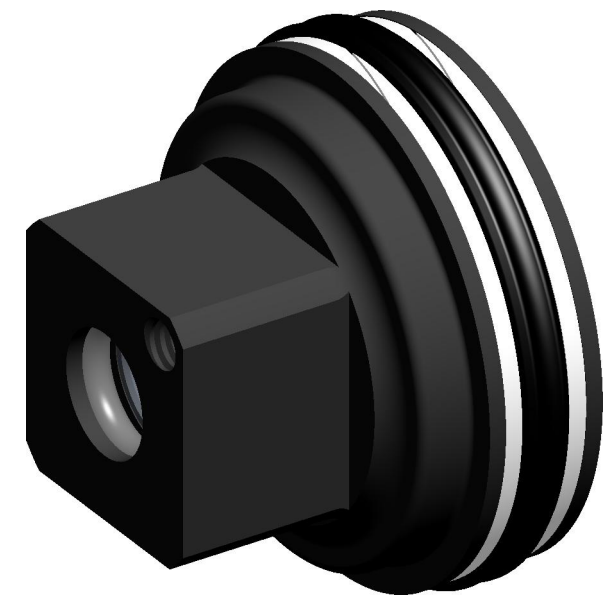


4

3

2

1



Bearing [1.118 W X 1.491 OD X .047 TH, Ø1.50 Bore]

Seals: O-Ring, Custom Angle

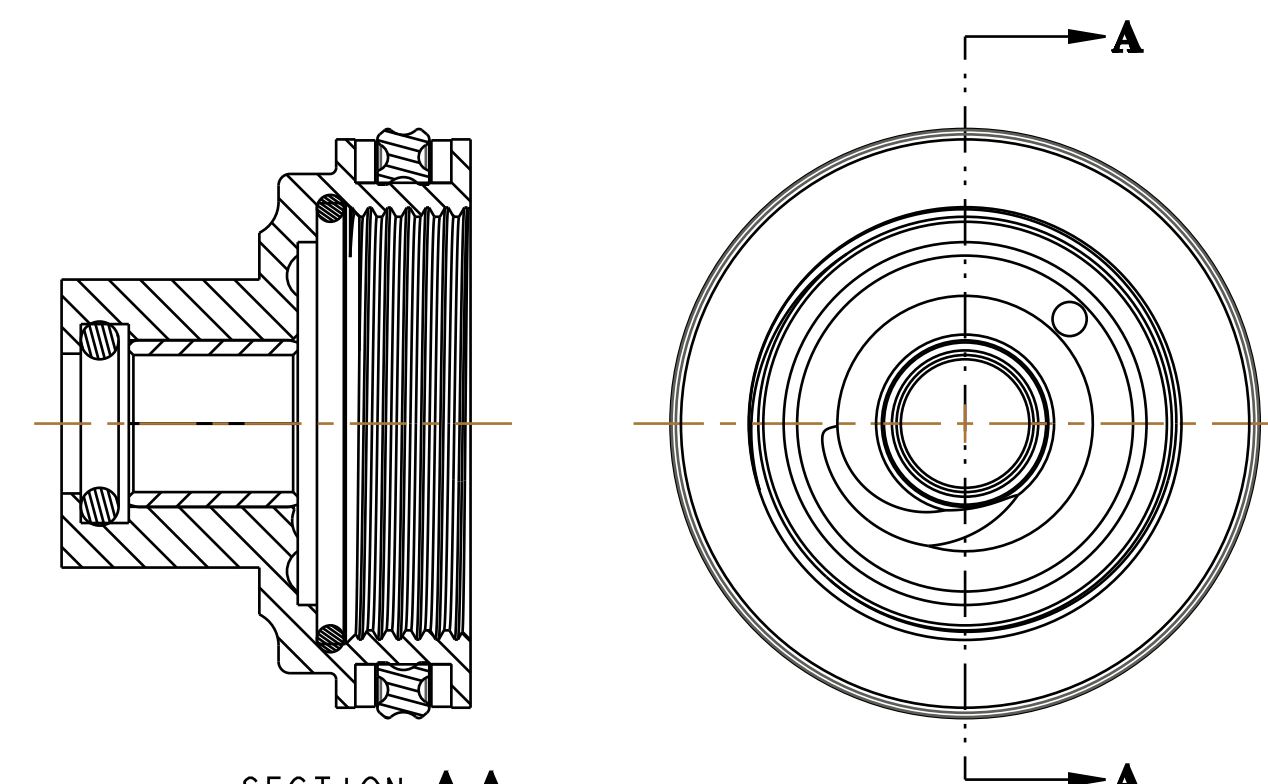
Bearing [1.118 W X 1.491 OD X .047 TH, Ø1.50 Bore]

Seals: O-Ring [(-023) .070 C.S. X 1.051 ID] Standard, N-70, Static

Bearing, (T): Internal [9mm ID x 11mm OD x .440" TLG, 9mm Shaft]

Seals: O-ring [8.5mm ID x 2.5mm CS], Metric, Polyurethane 92A or 90A, Dynamic

Bearing Housing (T): Float 2013, Black [1.940 Body Bore, 9mm Shaft, 1.065 TLG]



SECTION A-A

NOTES: UNLESS OTHERWISE SPECIFIED

1 STAMP OR ENGRAVE ON INDICATED SURFACE:

DATE - W.O. P/N
XXXX-XXXXXX XXXXXXXX

DATE = CALENDAR DAY
W.O. = WORK ORDER NUMBER
P.N. = 900 LEVEL FOX PART NUMBER

PROPRIETARY - THIS DOCUMENT CONTAINS CONFIDENTIAL, PROPRIETARY INFORMATION THAT IS FOX PROPERTY. DO NOT DISCLOSE TO OR DUPLICATE FOR OTHERS EXCEPT AS AUTHORIZED BY FOX.

FOX Factory, Inc.
130 Hangar Way, Watsonville, CA 95076 USA
Ph 831-768-1100 Fax 831-768-9312

TITLE
Bearing Assy: FLOAT 2013, Black
[.940 Bore, 1.500 Bore, 9mm Shaft, 1.065 TLG]

SIZE DWG. NO.
812-06-061-KIT

PLOT SCALE 2/1 SHEET 1 OF 1

4

3

2

ProE ASSEM