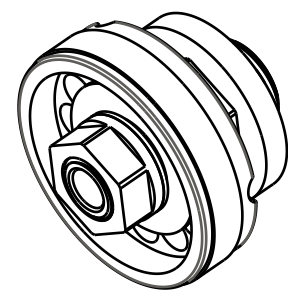


4

3

2

1



(044-10-040)

2

233-00-185
 Spacer: Topout [.380 ID X .700 OD X .100 THK] Steel

210-10-100
 Damping Adjust Part: Piston Post, Float X [.241 SHLG X .175 ID X .774 TLG]

050-01-011
 Plate: Back-Up [0.400 OD X 0.252 ID X 0.020 TH, Ø 0.375 Shaft] Steel

044-10-040
 Valve: [.400 OD X .252 ID X .010 TH]

044-20-035
 Valve: [.350 OD X .252 ID X .020 TH]

044-04-050
 Valve: [.500 OD X .252 ID X .0045 TH]

044-06-060
 Valve: [.600 X .252 X .006]

044-06-060
 Valve: [.600 X .252 X .006]

044-06-070
 Valve: [.700 OD X .252 ID X .006 TH]

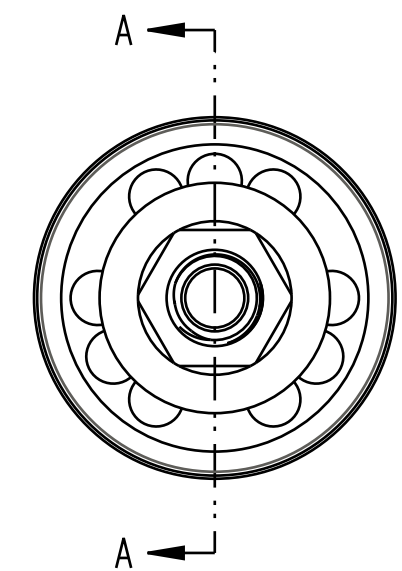
044-06-080
 Valve: [.800 OD X .252 ID X .006 TH]

805-02-301-KIT
 Piston Assembly: Main, 2014 Float X, [Ø 0.940 Bore] w/ Glyde Ring

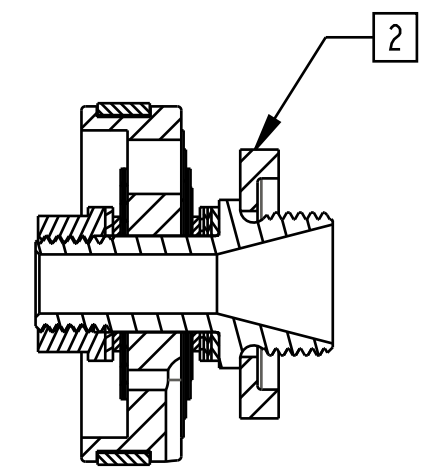
044-06-060
 Valve: [.600 X .252 X .006]

241-00-032
 Fastener, Custom: Nut [1/4-32 UNEF, 9mm Hex Flats, .175" TLG] AISI 416 SS

2 PART ORIENTATION IS CRITICAL TO FUNCTION.



SCALE 2:1



SECTION A-A

- PROPRIETARY -
 THIS DOCUMENT CONTAINS CONFIDENTIAL, PROPRIETARY INFORMATION
 THAT IS FOX PROPERTY. DO NOT DISCLOSE TO OR DUPLICATE
 FOR OTHERS EXCEPT AS AUTHORIZED BY FOX.

FOX FOX Factory, Inc.		Ph 831-768-1100
130 Hangar Way, Watsonville, CA 95076 USA		Fax 831-768-9312
TITLE Valving Assy: 2014 Float X CTD, ECFXCF, RTM		
SIZE C	DWG. NO. 807-72-200-KIT	
PLOT SCALE 1.5:1		SHEET 1 OF 1

4

3

2

1