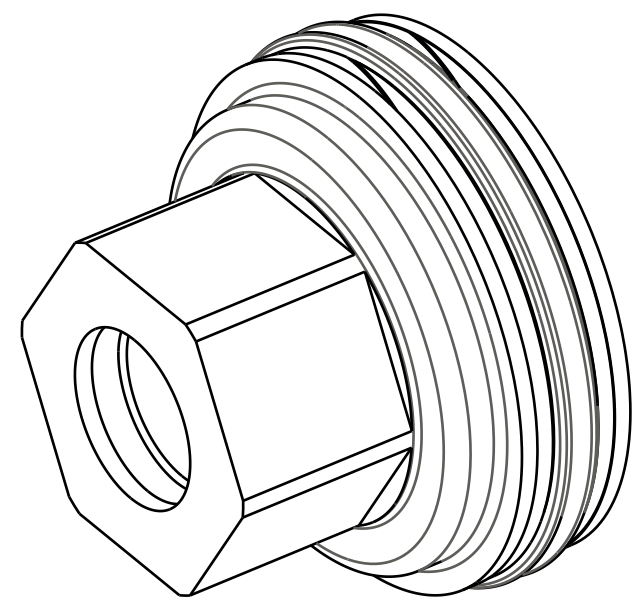


4

3

2

1



Bearing [.118 W X 1.491 OD X .047 TH, Ø1.50 Bore]

Seals: Q-Ring, Custom Angle

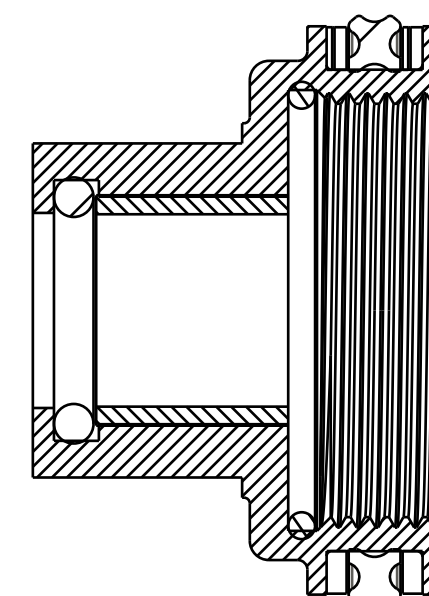
Bearing [.118 W X 1.491 OD X .047 TH, Ø1.50 Bore]

Seals: O-Ring [(-023) .070 C.S. X 1.051 ID] Standard, N-70, Static

Bearing: [.500 ID X .500 TLG X Ø.498 Shaft]

O-Ring [(-112) .103 C.S. X .487 ID]

Bearing Housing: Black [.940 Bore, 1.500 Bore, .500 Shaft, 1.065 TLG]



SECTION A-A

		FOX Factory, Inc.	Ph 831-768-1100
		130 Hangar Way, Watsonville, CA 95076 USA	Fax 831-768-9312
TITLE			
Bearing Assembly: Black			
[.940 Bore, 1.500 Bore, .500 Shaft, 1.065 TLG]			
SIZE DWG. NO.		812-06-047-KIT	
C			
PLOT SCALE		2:1	SHEET 1 OF 1

- PROPRIETARY -
THIS DOCUMENT CONTAINS CONFIDENTIAL, PROPRIETARY INFORMATION
THAT IS FOX PROPERTY. DO NOT DISCLOSE TO OR DUPLICATE
FOR OTHERS EXCEPT AS AUTHORIZED BY FOX.

4

3

2