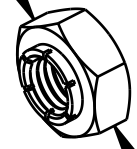


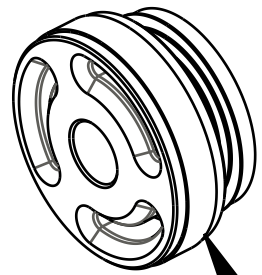
SECTION A-A



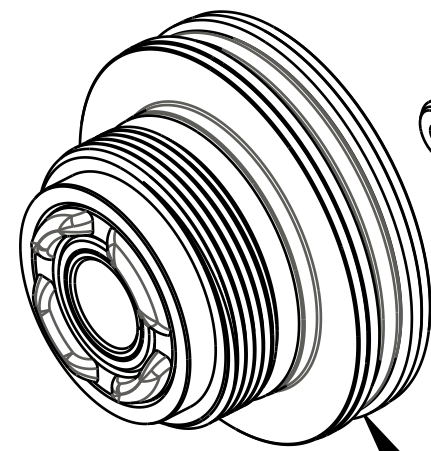
TORQUE:
60±2 IN.LB.



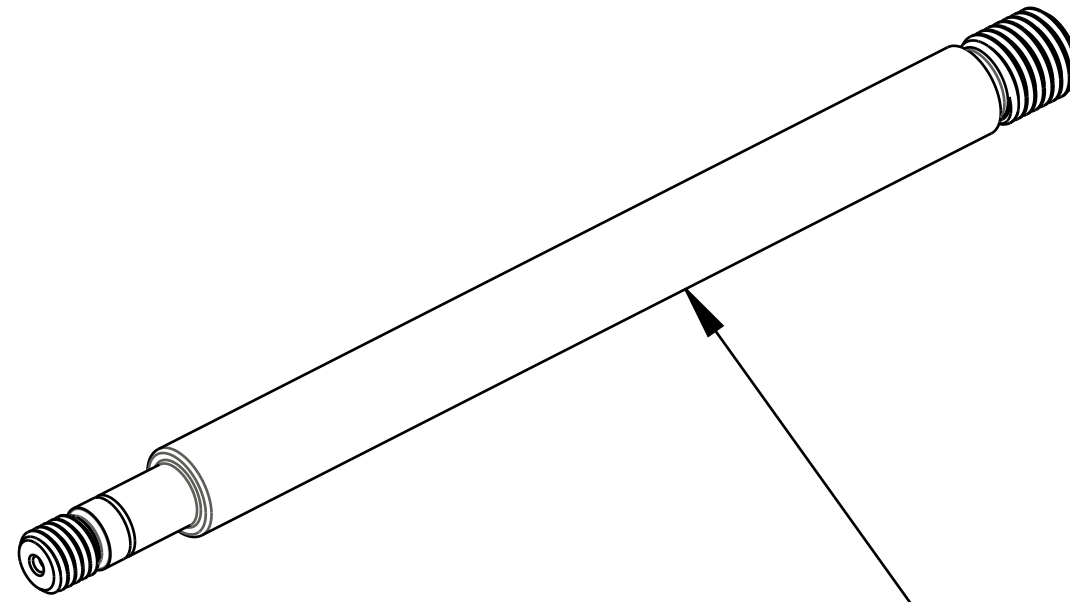
018-00-012-A
Fastener, Standard: Nut [1/4-28 X 5/32 TLG] Grade 8, Zinc Plated



VALVE ASSY



812-06-081-KIT
Bearing Assy: FLOAT X2, Black [.940 Bore, 1.600 Bore, 9mm Shaft]



SHAFT

FOX FOX Factory, Inc. Ph 831-768-1100
130 Hangar Way, Watsonville, CA 95076 USA Fax 831-768-9312

TITLE
Shaft Assy: (T) Shaft, 9mm, [0.25 Piston],
FLOATX2

SIZE DWG. NO.

C

PLOT SCALE | .00:1

SHEET 1 OF 1

- PROPRIETARY -
THIS DOCUMENT CONTAINS CONFIDENTIAL, PROPRIETARY INFORMATION
THAT IS FOX PROPERTY. DO NOT DISCLOSE TO OR DUPLICATE
FOR OTHERS EXCEPT AS AUTHORIZED BY FOX.