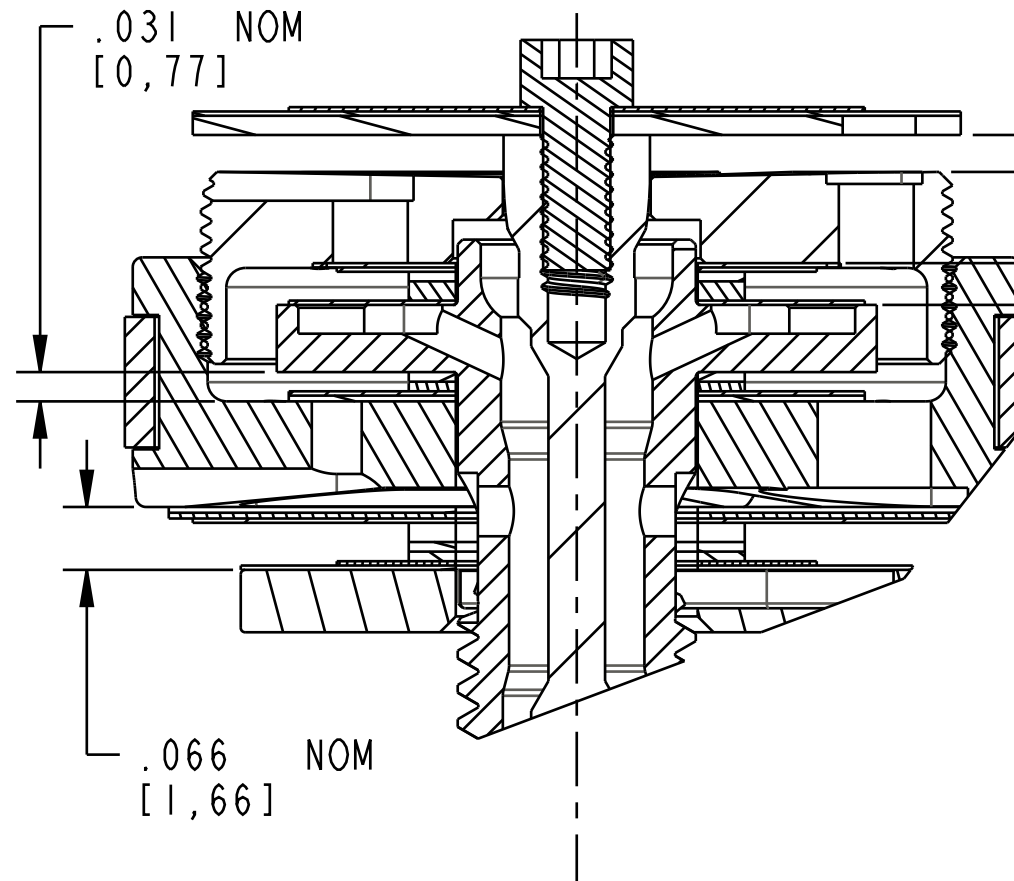


4

3

2

1



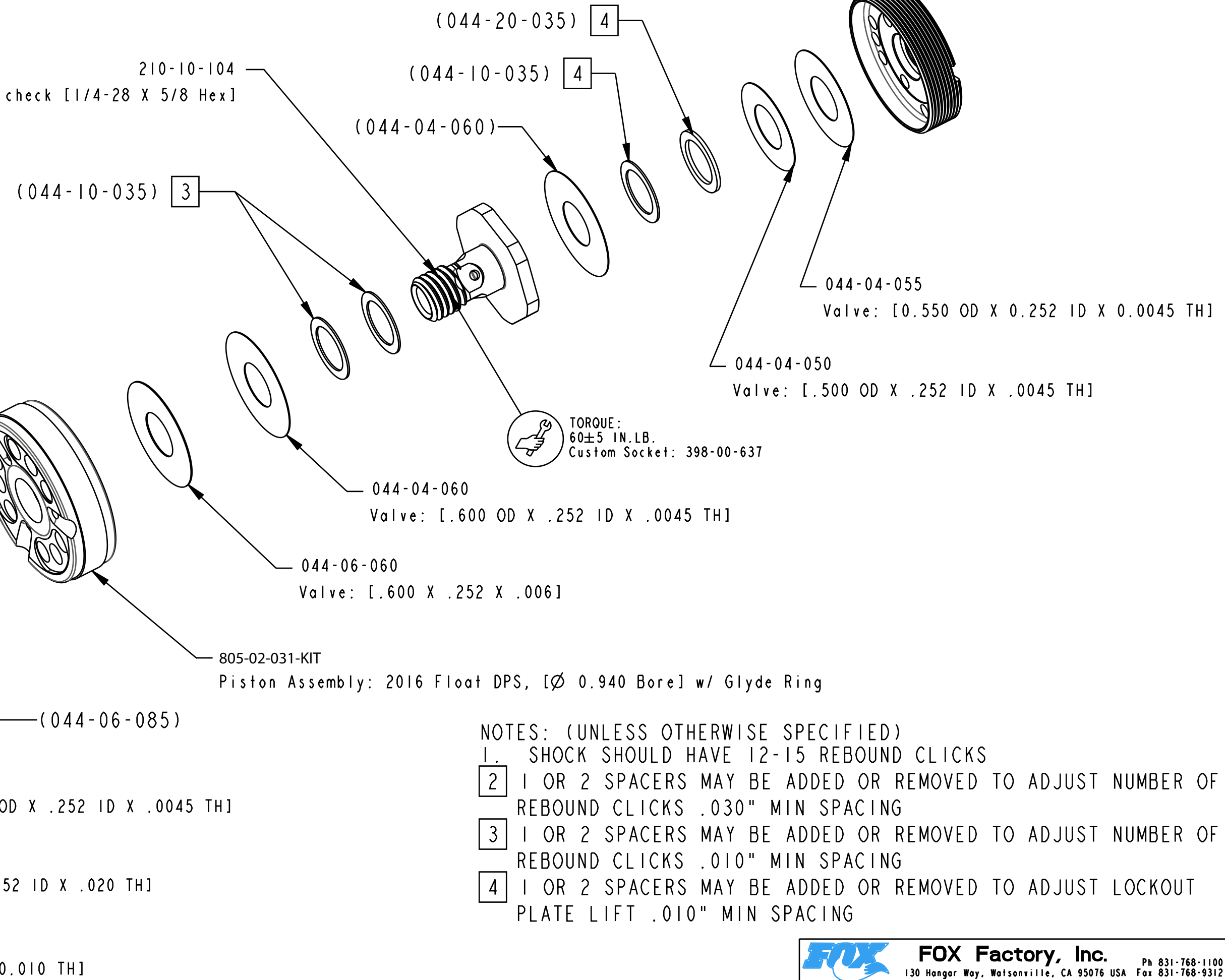
.030-.047 [0,77-1,19]
 PLATE LIFT FROM CLOSED TO MIDDLE POSITION, ALL NON REMOTES + IRD

.025-.037 [0,64-0,94]
 PLATE LIFT FROM CLOSED TO MIDDLE POSITION, ALL CABLE REMOTES

Piston: Lockout, Float DPS [.200 TLG, M20 X 0.5] 416SS

TORQUE: 22±2 IN.LB.
 Custom socket: 398-00-638

Piston Bolt: Dish WRD w/ check [1/4-28 X 5/8 Hex]



NOTES: (UNLESS OTHERWISE SPECIFIED)

1. SHOCK SHOULD HAVE 12-15 REBOUND CLICKS
2. 1 OR 2 SPACERS MAY BE ADDED OR REMOVED TO ADJUST NUMBER OF REBOUND CLICKS .030" MIN SPACING
3. 1 OR 2 SPACERS MAY BE ADDED OR REMOVED TO ADJUST NUMBER OF REBOUND CLICKS .010" MIN SPACING
4. 1 OR 2 SPACERS MAY BE ADDED OR REMOVED TO ADJUST LOCKOUT PLATE LIFT .010" MIN SPACING

PROPRIETARY - THIS DOCUMENT CONTAINS CONFIDENTIAL, PROPRIETARY INFORMATION THAT IS FOX PROPERTY. DO NOT DISCLOSE TO OR DUPLICATE FOR OTHERS EXCEPT AS AUTHORIZED BY FOX.

FOX Factory, Inc. Ph 831-768-1100
 130 Hangar Way, Watsonville, CA 95076 USA Fax 831-768-9312

TITLE
 Valving Assy: 2016 Float DPS, Scott CL+, RM, CMF [.940 Bore]

SIZE DWG. NO. **807-06-182-KIT**

PLOT SCALE 2.00:1 SHEET 1 OF 1

4

3

2

ProE ASSEM