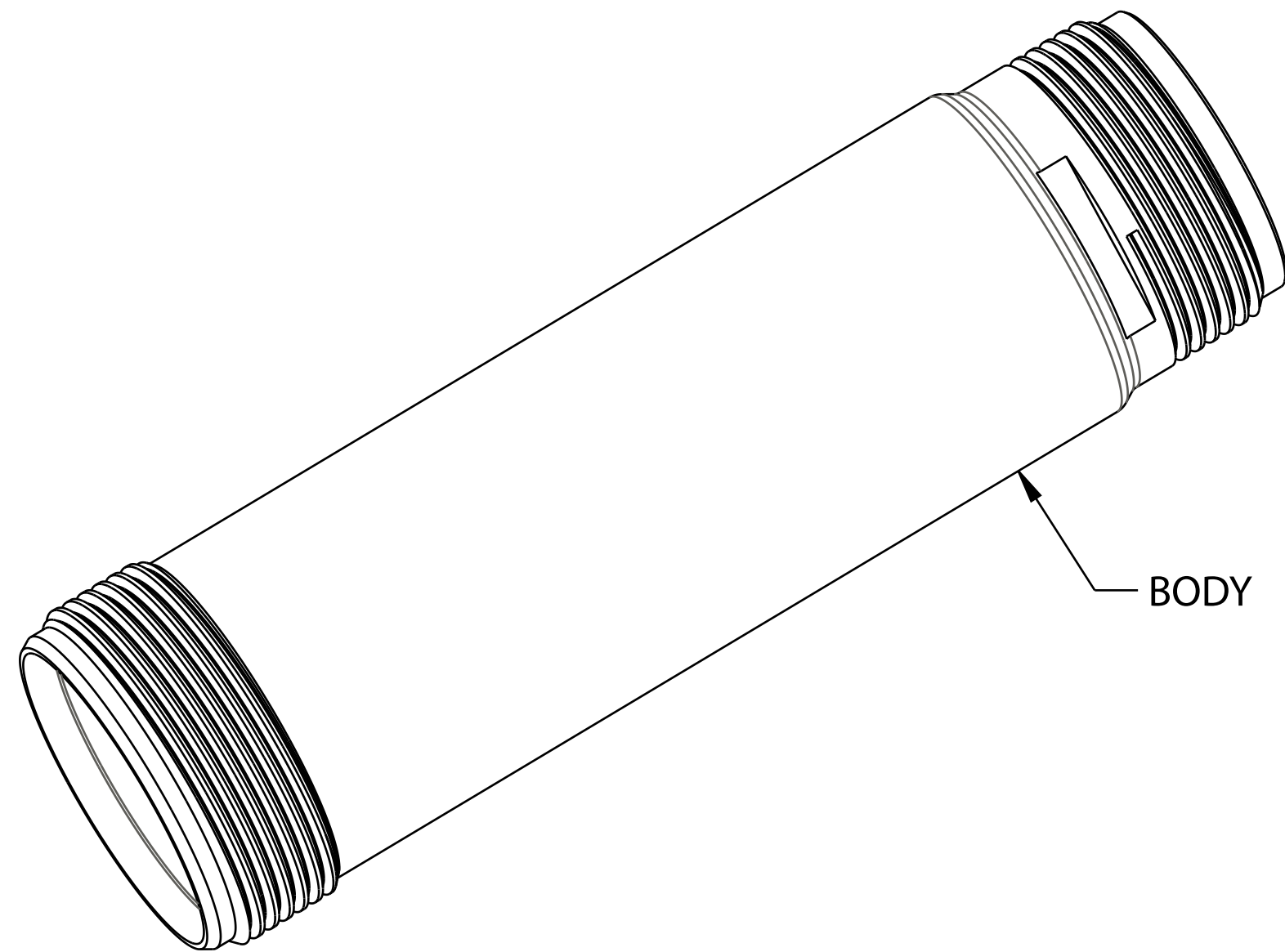
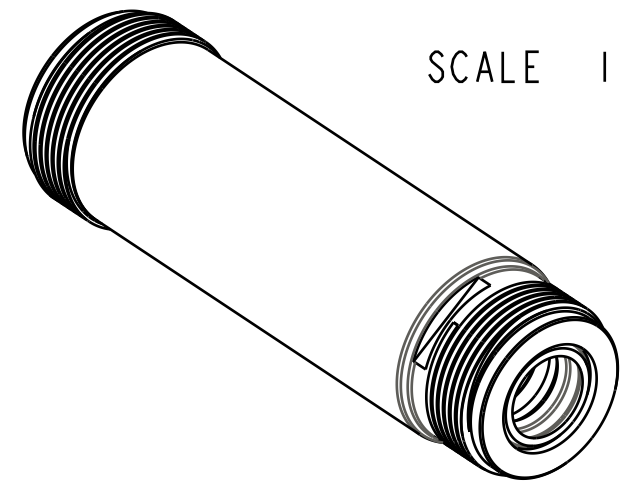
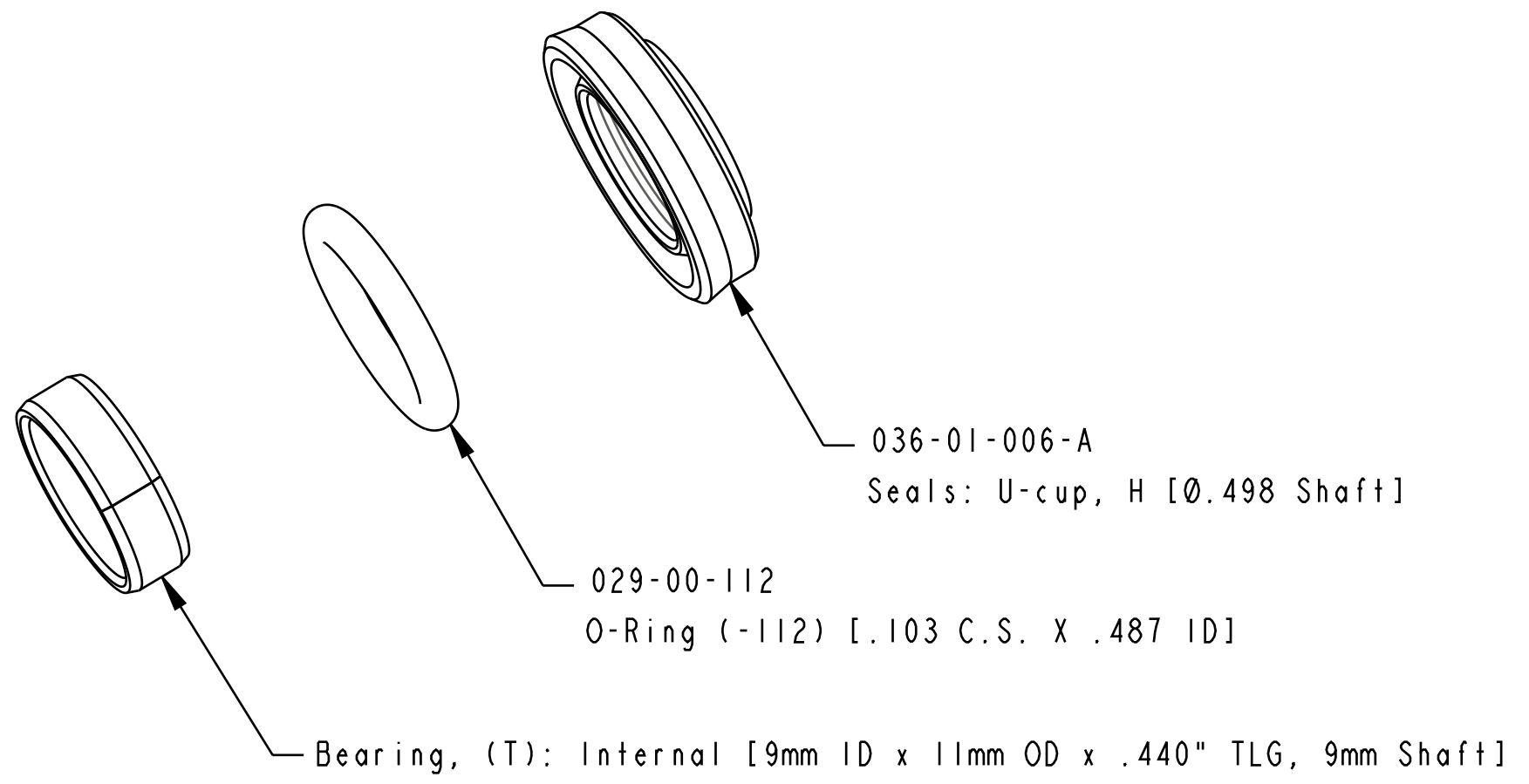


SCALE 1.000



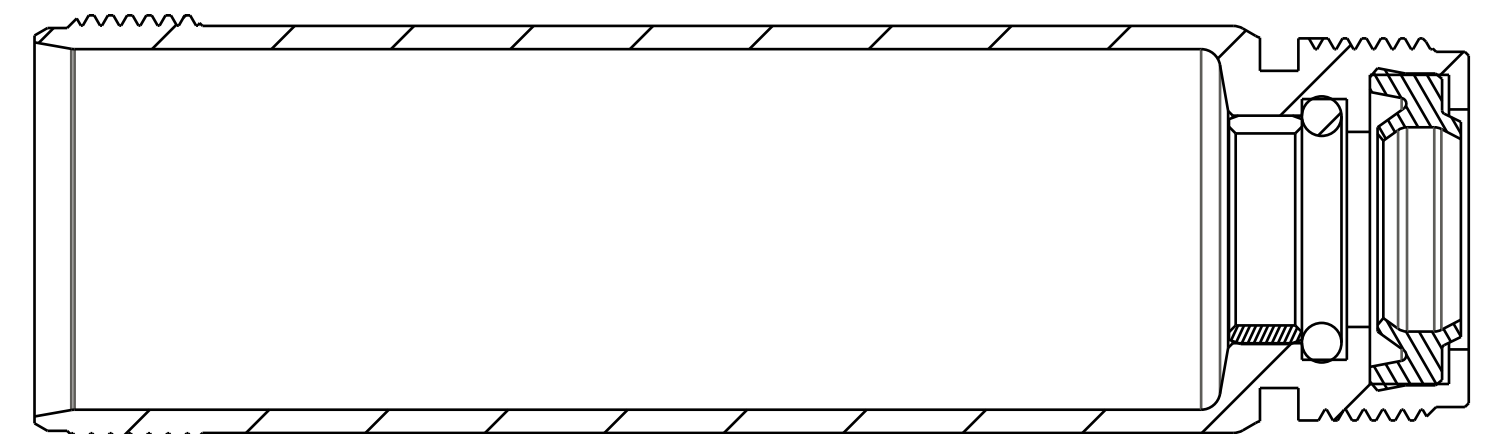
BODY



036-01-006-A
Seals: U-cup, H [Ø.498 Shaft]

029-00-112
O-Ring (-112) [.103 C.S. X .487 ID]

Bearing, (T): Internal [9mm ID x 11mm OD x .440" TLG, 9mm Shaft]



SECTION A-A

- PROPRIETARY -
THIS DOCUMENT CONTAINS CONFIDENTIAL, PROPRIETARY INFORMATION
THAT IS FOX PROPERTY. DO NOT DISCLOSE TO OR DUPLICATE
FOR OTHERS EXCEPT AS AUTHORIZED BY FOX.

FOX **FOX Factory, Inc.** Ph 831-768-1100
130 Hangar Way, Watsonville, CA 95076 USA Fax 831-768-9312

TITLE
**Body Assembly: Trek TSS, [.940 Bore,
3.735 TLG], 210 x 52.5, Kashima**

SIZE DWG. NO. **C 806-61-200-KIT**

PLOT SCALE 2.00:1 SHEET 1 OF 1

ProE ASSEM